



GAS COOKERS

**INSTRUCTION FOR INSTALLATION AND USE
DIE GEBRAUCHS UND INSTALLATIONSANWEISUNG
NOTICE D'INSTALLATION ET D'EMPLOI
NÁVOD K OBSLUZE A INSTALACI
UPUTSTVO ZA INSTALACIJU I UPOTREBU**



**SPS 780 G, SPS 708 G, SPS 740 G, SPS 704 G, SPS 7012 G, SPS 7012A G,
SPS 7012B G, SPS 7120 G, SPS 7120A G, SPS 7120B G**

CE
1015-22

www.rmgastro.com





CONTENT

Declaration of a standards conformity	3
Instruction for use	11
Cleaning and maintenance	12



INHALT

Die Normenübereinstimmungsdeklaration	13
Gebrauchsanweisung	21
Die Reinigung und Instandhaltung	22



CONTENU

Déclaration de conformité	23
Mode d'emploi	30
Nettoyage et entretien	31



OBSAH

Prohlášení o souladu s normami	36
Návod k použití	42
Čistění a údržba	43



SADRŽAJ

Izjava o saglasnosti Sa normama	47
Uputstvo za upotrebu	55
Čišćenje i održavanje	56

DECLARATION OF A STANDARDS CONFORMITY

The producer confirms that the devices agree with 2016/426/EU, 2014/35/EU, 2014/30/EU standards, rule nr. 22/1997 sb., 258/2000 sb, 38/2001 sb, 118/2016 sb., 117/2016 sb. and with relevant government orders. Instalation must be done with respect to valid standards. Attention, the producer refuses any responsibility in case of direct or indirect damages which are caused due to wrong instalation, incorrect intervention or modification, insufficient maintenance, incorrect use and also possibly caused by other reasons presented by items in sale conditions. This appliance is set only for skilled use and must be operated by qualified persons only. Parts set and secured by the producer or accredited person must not be rebuilt by user.

TECHNICAL DATA

Label with technical data is placed on the back side of the device. Study the electrical diagram of connection and all following information before instalation.

Type of product	Burner performance	Power (kW)	Dimmensions (mm)	Diameter of pots
SPS - 780 G	(3x 8,5 kW) + (1x 4 kW)	29,5	800 x 756 x 933	4 kW - min. 14 cm; max. 38 cm 8,5 kW - min. 14 cm; max. 50 cm
SPS - 708 G	(3x 8,5 kW) + (1x 4 kW)	29,5	800 x 756 x 313	
SPS - 740 G	(1x 8,5 kW) + (1x 4kW)	12,5	400 x 756 x 933	
SPS - 704 G	(1x 8,5 kW) + (1x 4kW)	12,5	400 x 756 x 313	
SPS-7012 G	(4x8,5 kW) + (2x4kW)	42	1200 x 756 x 313	
SPS-7012A G	(4x8,5kW) + (2x4kW)	42	1200 x 756 x 313	
SPS-7012B G	(5x8,5kW) + (1x4kW)	46,5	1200 x 756 x 313	
SPS-7120 G	(4x8,5kW) + (2x4kW)	42	1200 x 756 x 933	
SPS-7120A G	(4x8,5kW) + (2x4kW)	42	1200 x 756 x 933	
SPS-7120B G	(5x8,5kW) + (1x4kW)	46,5	1200 x 756 x 933	

Data	Type of gas						
Burner 8,5 kW	G30 28-30 mbar	G30 37 mbar	G30 50 mbar	G20 20 mbar	G25 25 mbar	G25 20 mbar	G20 25 mbar
Main burner diameter 1/100mm	145	140	130	215	225	245	205
Air kontrol _settings (mm)	open	open	open	3,5	3,5	3,5	3,5
Gas Consumption	0,670 kg/h	0,670 kg/h	0,670 kg/h	0,899 m ³ /h	1,046 m ³ /h	1,046 m ³ /h	0,899 m ³ /h
Burner 4 kW							
Main burner diameter 1/100mm	95	90	85	150	155	165	140
Air kontrol _settings (mm)	open	open	open	closed	closed	closed	closed
Gas Consumption	0,355 kg/h	0,355 kg/h	0,355 kg/h	0,476 m ³ /h	0,554 m ³ /h	0,554 m ³ /h	0,476 m ³ /h
Pilot burner							
diameter 1/100mm	24	24	24	adjusted	adjusted	adjusted	adjusted

Data	Type of gas					
Burner 8,5 kW	G25.1 25 mbar	G2.350 13 mbar	G27 20 mbar	G31 30-37 mbar	G31 37 mbar	G31 50 mbar
Main burner diameter 1/100mm	240	315	250	145	140	130
Air kontrol _settings (mm)	3,5	open	3,5	open	open	open
Gas Consumption	1,044 m ³ /h	1,249 m ³ /h	1,097 m ³ /h	0,660 kg/h	0,660 kg/h	0,660 kg/h
Burner 4 kW						
Main burner diameter 1/100mm	160	205	170	95	90	85
Air kontrol _settings (mm)	closed	closed	closed	open	open	open
Gas Consumption	0,553 m ³ /h	0,661 m ³ /h	0,581 m ³ /h	0,350 kg/h	0,350 kg/h	0,350 kg/h
Pilot burner						
diameter 1/100mm	adjusted	adjusted	adjusted	24	24	24

PACKING AND DEVICE CHECK

The device leaves our stocks properly packed with appropriate symbols and labels. There are also appropriate instructions for use. In case the packing shows bad handling or damage, it must be reclaimed at transporter immediately by writing and signing of a damage protocol.

Important notice:

-This product is only intended for use inside.

Never use the appliance if it has a damaged supply cable or plug, if it is not working correctly, has fallen to the ground and been damaged or fallen into water. In such cases take the appliance to a professional service in order to verify that it is safe and works correctly.

- only for professional use
- this instructing guide must be read properly and carefully because it contains important information about safety elements, installation, use
- these recommendations refer to this product
- this product corresponds with valid standards
- this guide must be properly deposited for future use
- keep the children away from manipulation with the product
- when selling or moving the product to another place it is necessary to make yourself sure that the staff or the professional service has got acquainted with control and installation instructions from enclosed guide
- only authorised person can operate the product
- it can not be switched on without supervision
- we recommend to have the product checked by professional service min. once a year
- only original spare parts can be used for repairs
- the product can not be cleaned by the water jet or pressure shower
- by damage or break down disconnect all the feeders (water, gas, electricity) and call professional service
- producer refuses any responsibility in case of damages caused by wrong installation, by disobeying of above mentioned recommendations or by other use etc.

PLACEMENT

The device must be installed in well ventilated room what is necessary for regulation of the function of the device (technician must go by valid standard (EN....)). If the device is situated close to the wall or if it is in contact with the furniture walls, these walls must resist the temperatures ranging to 90°C. Installation, setting, putting into operation must be done by qualified person who is competent for this and according to the valid standards.

Wrap up the device and check whether it was not damaged during transport. Settle the device on horizontal surface (max imbalance 2°). Settle the device under the fumehood to eliminate water steam and bad smell. The device can be installed separately or in a set with devices of our production. Min. distance 10 cm from other subjects must be kept. It is also necessary to prevent our product from contact with combustible materials. In this case you must make corresponding changes to secure heat isolation of combustible parts. Safety measures from the standpoint of the fire protection according to EN 061008čl. 21:

TECHNICAL INSTRUCTIONS FOR INSTALATION AND REGULATION

Important:

The manufacturer does not provide warranty for defects caused by improper use, failure to instructions contained in the attached instructions for use and mistreatment of the appliances.

Installation, adjustment and repair of appliances for kitchens, as well as their removal because of possible damage to the gas can be carried out only under a maintenance contract, this contract may be signed with an authorized dealer, and must be complied with regulations and technical standards and regulations regarding the installation, power supply, gas connection and health & safety system.

These instructions are intended for the qualified technician who must perform the installation, put it into operation and test the appliance.

Any activity as settings, placement, rebalancing etc, must be made only when is device disconnected from electricity. If it is necessary to have the device connected to the electricity you must keep the highest attention to avoid any injuries.

DEVICE INSTALATION

Instalation, setting, rebuilding for another gas type, putting into operation must be done by qualifi ed person whois competent for this and according to the valid standards. The device can be instalated in good ventilated room. When it is possible place the device under the fumehood to suck off the products of combustion. Air needy to the burning is 2m³/h/kW ot the performance of the instaled device. The device can be instalated separately or in a set with devices of our production. Min. distance 10 cm from other subjects must be kept.It is also necessary to prevent our product from contact with combustible materials. In this case you must make corresponding changes to secure heat izolation of combustible parts (for example:place between the device and combustible material azbestos plate).

PIPE FOR GAS CONNECTION

It must first determine if the appliance is made for the same type of gas that will be used and thus conforms to the indications on the label the type of gas to be used.

The conversion of gas pan to another type of gas you need to check if it corresponds to the type of gas bearing, which is recommended in this guide.

Connecting the appliance to the gas distribution must be towable to a steel or copper tube complying with applicable national requirements. This must be controlled on regular basis and changed if needed. Every appliance must be equipped with shut-off valve and quick shut-off valve. Quick shut-off valve must be freely accessible and within reach of the device. After installation, is necessary to check whether there is a gas leak. To find a gas leak you can use soapy water or spray for gas leak detection.

Do not use corrosive substances!! All our appliances are carefully controlled. Gas type, pressure and of the categories listed named on the technical information plate.

Liquid gas connection:

Pressure for liquid gas connection must be 28 or 30 mbar for propane/butane and 37 mbar for propane. It is necessary to check the technical label ,gauge the pressure and check the parameters of the nozzle is installed with the required parameters of the nozzle according to the manufacturer's. If the pressure is lower than 25mbar or higher than 37 mbar, THE APPLIANCE SHALL NOT TO BE CONNECTED.

Gas Connection:

Pressure for methane connection must be 18 or 20 mbar. It is necessary to check the technical label ,gauge the pressure and check the parameters of the nozzle is installed with the required parameters of the nozzle according to the manufacturer's. If the gas pressure is lower than 15mbar or higher than 22,5 mbar, THE APPLIANCE SHALL NOT TO BE CONNECTED.

SAFETY MEASURES FROM THE STANDPOINT OF THE FIRE PROTECTION ACCORDING TO EN 061008 ČL. 21

- only adults can operate the device
- device must be safely used in common surroundings according to EN 332000-4-462; EN 332000-4-42. You must switch the gas device off under the circumstances leading: to the danger of the temporary rise of the combustion gas or steam or during works when there is a big possibility of rise of the temporary fire danger or explosion (for example: to stick linoleum, PVC etc.).
- before you start to instal the device you must get the licence for connection to the gas feeder from the gasworks
- device must be placed so as to stand or hang on the noncombustible surface which is on each side 10 cm larger than the device. No subjects from combustible materials can be placed directly on the device or in distance which is shorter than safety distance (the shortest distance is 50 cm in the direction of the heat emission and 10 cm in other directions).- safety distances from various materials of different degree of combustion and information about the degree of comb. of common building materials - see chart:

Chart:

Combustion degree of building materials classified according to the combustion degree of materials and products (EN 730823)

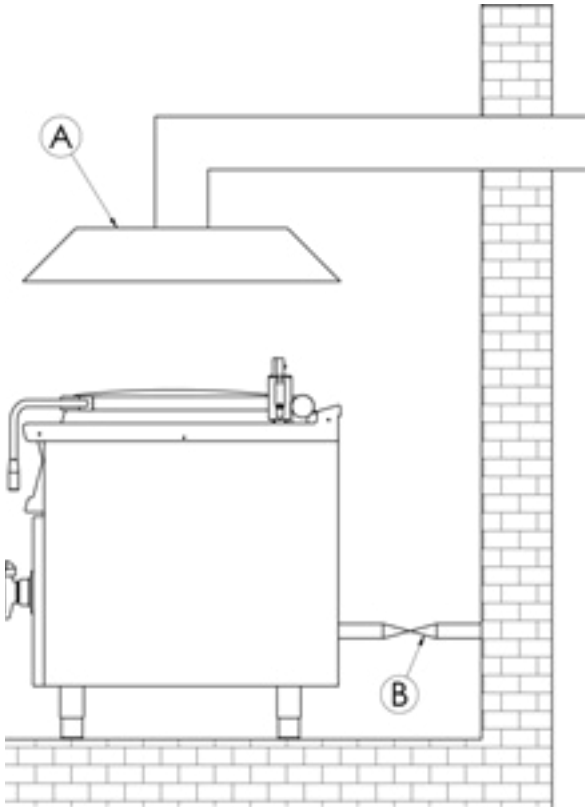
A noncombustible	granit, sandstone, concretes,bricks, ceramic wallfacing tiles, plaster
B uneasily combustible	akumine, heraklite, lihnos, itavere
C1 hardly combustible	leafy wood, plywood, sirkoklit, rare paper formica
C2 middle combustible	fibreboards, solodure, cork boards, rubber,floor-coverings
C3 easily combustible	wood-fibreboards, polystyrene,polyurethane, PVC

Devices must be instalated in a safe way. When instaling you must respect corresponding project, safety and hygienic orders according to:

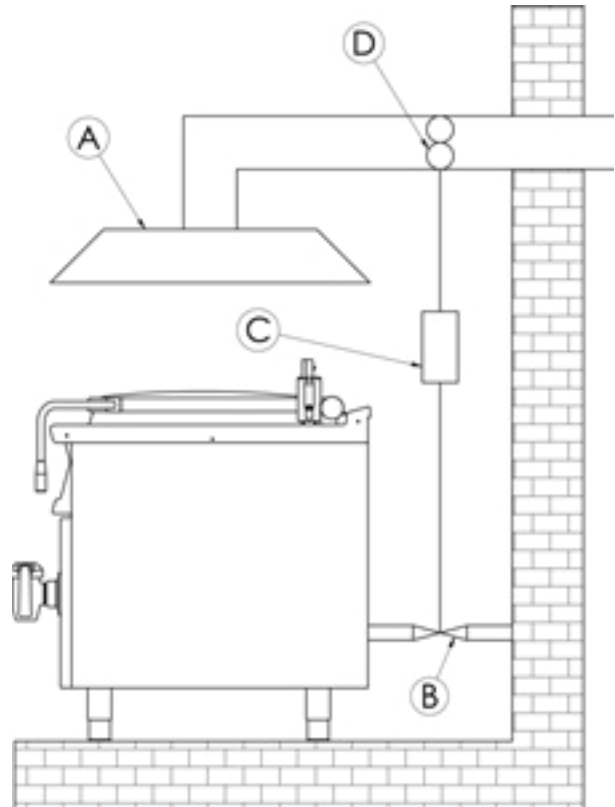
- EN 061008 fire protection of local devices and sources of heat
- EN 332000 (33 2000-4-482; 33 2000-4-42) surrounding for electric devices ČSN EN 1775 Gas supplying
- Gas fi ttings in the buildings - the highest operational pressure < 5 bar - operation demands
- § 10 law nr. 185/2001 Sb. about waste

CHIMNEY DESIGN FOR AN APPLIANCE –TYPE A

NATURAL EXTRACTION



FORCED EXTRACTION



Outlet hood with natural extraction (A). Flue gas provides a natural chimney draft.

Outlet hood without natural extraction. Flue gas is secured by a fan (D) (forced extraction). In this case, it is necessary to secure the connection with a gas feeder (B) to turn off the gas supply in case of failure.

CHECK THE GAS TYPE THE DEVICE IS ADJUSTED FOR

Our appliances are certified and regulated for natural gas (see technical plate). Conversion or adaptation to a different type of gas must be performed by authorized personnel. Nozzles for different types of gas are in a bag provided with the gas cooker and are marked in hundredths of mm (table of technical data pipes).

Nozzle replacement and pressure adjustment (Fig. 1, 2, 3)

It should proceed as follows:

Remove grid from top part of cooker, whole top part of the burner and GN (note 1, 2, 3, 4, fig. 1)

Unscrew nozzle (note 5, fig. 2, 3) with wrench and replace it for another by the desired type of gas.

Perform the assembly in reverse order. Make sure that different parts fit closely to each other. Air control (fig. 3, note 8) is always fully open.

Pilot burner can be adjusted so, that is need untie safety nut (note 6, fig. 3) with wrench. Then with wrench number, tie or untie nozzle (note 7, fig. 3) and adjust the flame into desired size.

Important:

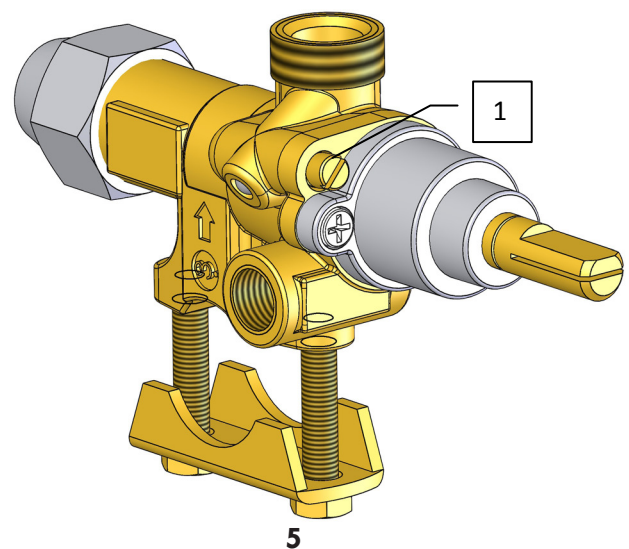
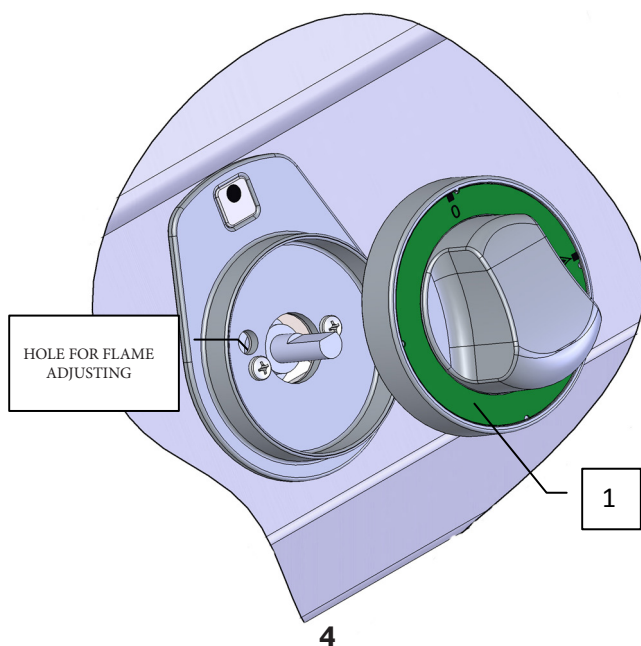
After what was done adjusting the appliance to another type of gas, it is necessary to change the gas indicated on the technical plate located in a visible location on the back of the device.

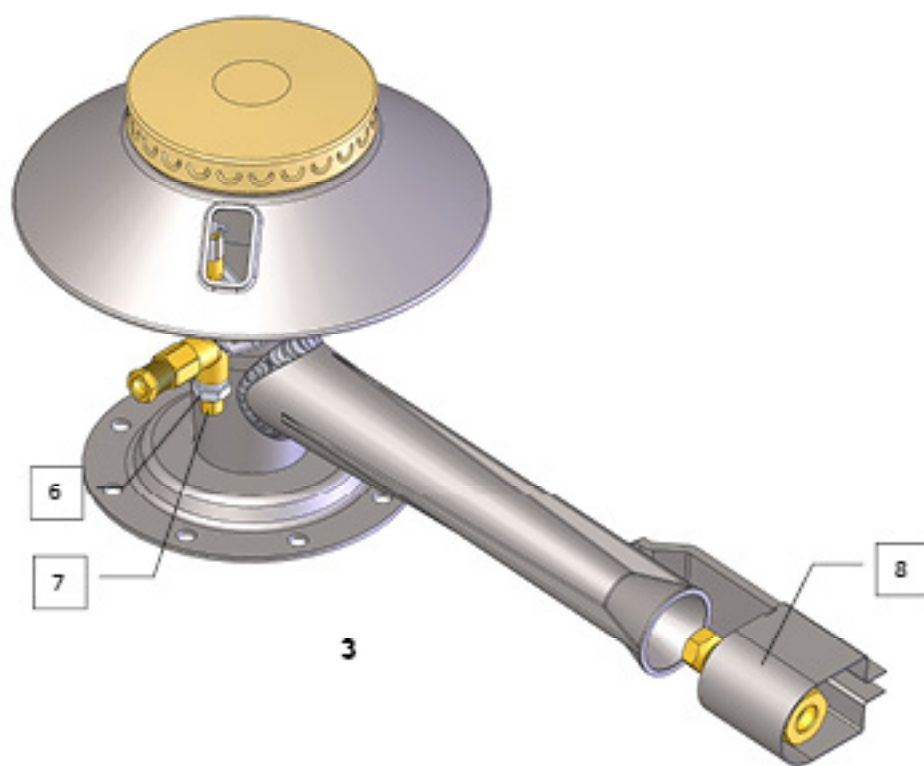
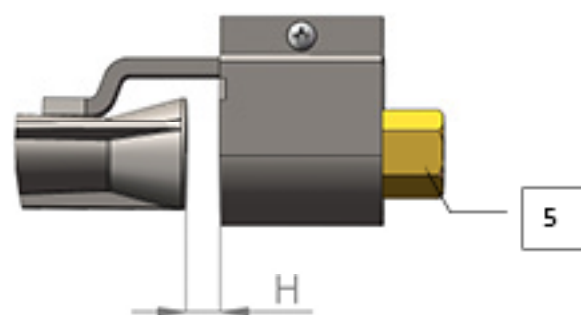
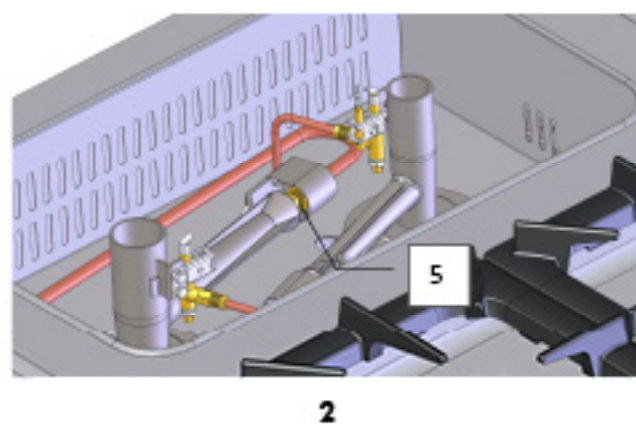
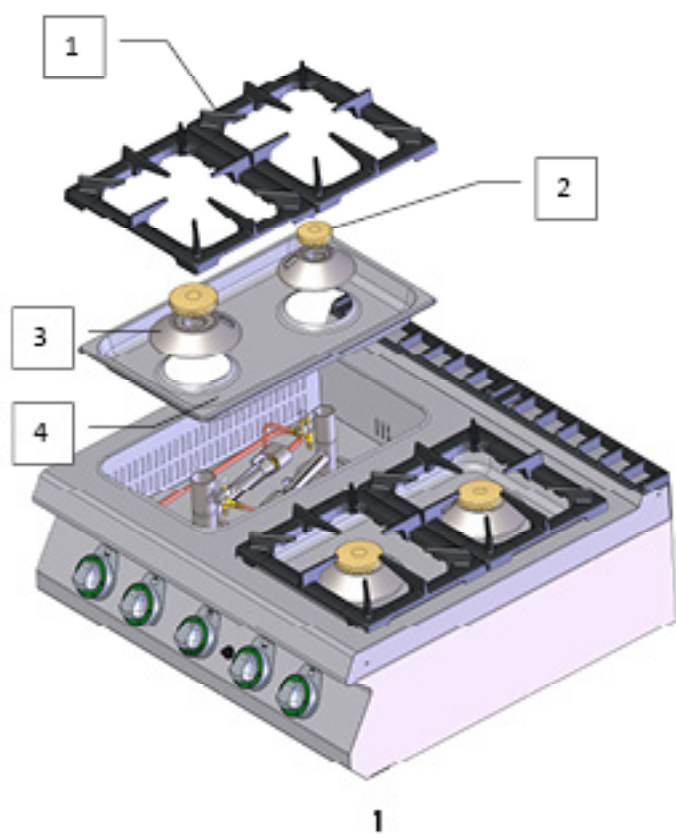
Adjusting flame at reduced performance „SAVING“

Flame at reduced performance „SAVING“, can be set with screw placed in the valve body (note. 1, fig. 5) positioned next to valve shaft

For adjusting proceed as follows:

- Remove the control knob (note. 1, fig. 4) pulling towards you
- Adjust the flame through hole with flat screwdriver





INSTRUCTIONS FOR USE

Ignition of the burner and regulation of the performance

Turn the regulation knob of the competent burner (A) into position „ignition of the main burner“ and then press it down and hold it. Ignite the burner with lighter or matches. After ignition of the burner hold the knob (A) pressed several seconds till the thermofuse gets hot. Then release the button. If the flame goes out repeat the whole process once more.

Lower performance sporo:

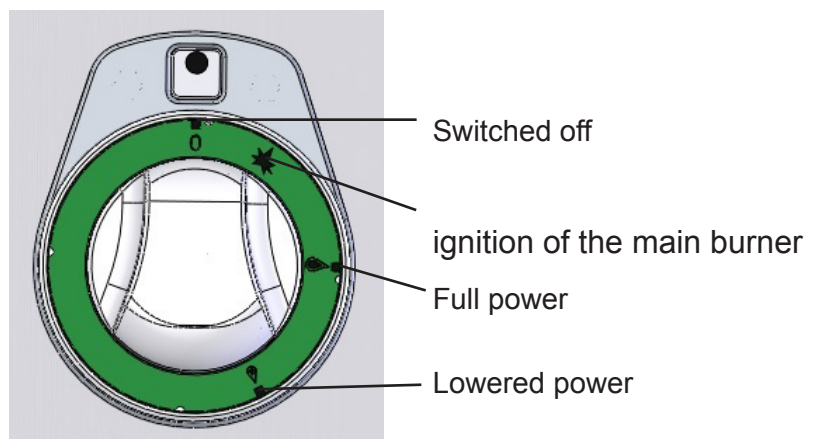
By turning the knob (A) into position „sporo“ you set the burning of the burner for sporo (lower performance)

How to switch the burner off:

Turn the knob (A) into position“0“.



① BURNER KONTROL KNOB



CLEANING AND MAINTENANCE

It is recommended to have the device checked by the professional service min. once a year. All interventions must be done by qualified person who is competent for this.

ATTENTION!

The device cannot be cleaned by direct or pressure water. Clean it daily. Daily maintenance keeps longer useful life and efficiency of the device. Before cleaning make sure to have disconnected the device from electricity. Always switch off the main feeder to the device. Stain-less parts wash with moist cleaning cloth and detergent without groove parts than wash it with clean water and dry it by the cloth. Do not use abrasive and corrosive detergents.

WHAT TO DO IN CASE OF BREAK-DOWN

Switch off the electric feeder and call seller's professional service.

INDICATION:

Guarantee does not cover all consumption parts succumable to common wear (rubber seals, bulbs, glas and plastic parts etc.). The guarantee does not refer to the devices which were not instaled in correspondance with instructions - by qualified worker, in confirmity with standards and when somebody handled incompetently the device (interventions into inner equipment) or the device was operated by nonqualified staff or at variance with instructions for use. Guarantee does not also cover the damages caused due to influence of nature or other outer intervention.

INDICATION:

Guarantee does not cover all consumption parts succumable to common wear (rubber seals, bulbs, glas and plastic parts etc.). The guarantee does not refer to the devices which were not instaled in correspondance with instructions - by qualified worker, in confirmity with standards and when somebody handled incompetently the device (interventions into inner equipment) or the device was operated by nonqualified staff or at variance with instructions for use. Guarantee does not also cover the damages caused due to influence of nature or other outer intervention.

Point for cleaning steel-alloy plate:

- Heat up the device
- Turn of the device
- The plate pull off with scraper

DIE NORMENÜBEREINSTIMMUNGSDEKLARATION

Der Produzent erklärt, daß die Geräte in einer Übereinstimmung mit den Vorschriften der 2016/426/EU, 2014/35/EU, 2014/30/EU dem Gesetz Nr. 22/1997 sb., nr. 258/2000 sb., nr. 38/2001 sb. der Sammlung und zugehörigen Regierungsverordnungen stehen. Die Installation muss mit der Absicht auf geltende Normen durchgeführt werden. Vorsicht, im Falle einer direkten oder indirekten Beschädigung, die sich auf falsche Installation, unrichtigen Eingriff oder Anpassungen, ungenügende Instandhaltung, unrichtige Verwendung beziehen, und welche eventuell durch andere Ursachen, als in Punkten der Verkaufsbedingungen angeführt ist, so verzichtet der Importeur auf jegliche Verantwortung. Dieses Gerät ist nur für fachliche Verwendung bestimmt und muß durch qualifizierte Person bedient werden. Teile, die nach der Einstellung durch den Hersteller oder durch befugte Person gesichert wurden, dürfen vom Benutzer keineswegs umgestellt werden.

DIE TECHNISCHEN DATEN

Das Schild mit technischen Angaben ist auf der Rückseite des Gerätes angebracht. Studieren sie vor der Installation das elektrische Schema der Einschließung und alle folgende Informationen durch.

Art des Produkts	Performance-Brenner	Leistung (kW)	Dimension (mm)	Topfdurchmesser
SPS - 780 G	(3x 8,5 kW) + (1x 4 kW)	29,5	800 x 756 x 933	4 kW - min. 14 cm; max. 38 cm 8,5 kW - min. 14 cm; max. 50 cm
SPS - 708 G	(3x 8,5 kW) + (1x 4 kW)	29,5	800 x 756 x 313	
SPS - 740 G	(1x 8,5 kW) + (1x 4kW)	12,5	400 x 756 x 933	
SPS - 704 G	(1x 8,5 kW) + (1x 4kW)	12,5	400 x 756 x 313	
SPS-7012 G	(4x8,5 kW) + (2x4kW)	42	1200 x 756 x 313	
SPS-7012A G	(4x8,5kW) + (2x4kW)	42	1200 x 756 x 313	
SPS-7012B G	(5x8,5kW) + (1x4kW)	46,5	1200 x 756 x 313	
SPS-7120 G	(4x8,5kW) + (2x4kW)	42	1200 x 756 x 933	
SPS-7120A G	(4x8,5kW) + (2x4kW)	42	1200 x 756 x 933	
SPS-7120B G	(5x8,5kW) + (1x4kW)	46,5	1200 x 756 x 933	

Daten	Gasart						
brenner 8,5 kW	G30 28-30 mbar	G30 37 mbar	G30 50 mbar	G20 20 mbar	G25 25 mbar	G25 20 mbar	G20 25 mbar
Hauptbrenner durchmesser 1/100mm	145	140	130	215	225	245	205
Luftregelung Einstellung (mm)	öffnen	öffnen	öffnen	3,5	3,5	3,5	3,5
Gasverbrauch	0,670 kg/h	0,670 kg/h	0,670 kg/h	0,899 m ³ /h	1,046 m ³ /h	1,046 m ³ /h	0,899 m ³ /h
brenner 4 kW							
Hauptbrenner durchmesser 1/100mm	95	90	85	150	155	165	140
Luftregelung Einstellung (mm)	öffnen	öffnen	öffnen	geschlossen	geschlossen	geschlossen	geschlossen
Gasverbrauch	0,355 kg/h	0,355 kg/h	0,355 kg/h	0,476 m ³ /h	0,554 m ³ /h	0,554 m ³ /h	0,476 m ³ /h
brûleur pilote							
Diamètre brûleur 1/100mm	24	24	24	Anpassung	Anpassung	Anpassung	Anpassung

Daten	Gasart					
brenner 8,5 kW	G25.1 25 mbar	G2.350 13 mbar	G27 20 mbar	G31 30-37 mbar	G31 37 mbar	G31 50 mbar
Hauptbrenner durchmesser 1/100mm	240	315	250	145	140	130
Luftregelung Einstellung (mm)	3,5	öffnen	3,5	öffnen	öffnen	öffnen
Gasverbrauch	1,044 m ³ /h	1,249 m ³ /h	1,097 m ³ /h	0,660 kg/h	0,660 kg/h	0,660 kg/h
brenner 4 kW						
Hauptbrenner durchmesser 1/100mm	160	205	170	95	90	85
Luftregelung Einstellung (mm)	geschlossen	geschlossen	geschlossen	öffnen	öffnen	öffnen
Gasverbrauch	0,553 m ³ /h	0,661 m ³ /h	0,581 m ³ /h	0,350 kg/h	0,350 kg/h	0,350 kg/h
brûleur pilote						
Diamètre brûleur 1/100mm	Anpassung	Anpassung	Anpassung	24	24	24

DIE VERPACKUNGS-, UND VORRICHTUNGSKONTROLLE

Die Vorrichtung verlässt unsere Lager in ordentlicher Verpackung, auf deren die entsprechenden Symbole und Bezeichnungen stehen. In der Verpackung befindet sich entsprechende Bedienungsanweisung. Falls die Verpackung eine schlechte Behandlung oder Anzeichen der Beschädigungen vorweist, muß dieses sofort beim Transporteur reklamiert werden und zwar durch Unterzeichnung eines Schadensprotokolles.

Wichtige Hinweise

-Das Erzeugnis ist nur zur Verwendung im Innenraum bestimmt.

Verwenden Sie den Verbraucher nie, wenn die Speisezuleitung oder der Stecker beschädigt sind, das Gerät nicht richtig arbeitet, ist auf den Boden gefallen und hat sich beschädigt oder ist ins Wasser gefallen. Bringen Sie in solchen Fällen den Verbraucher zu einem Fach-Kundendienst zur Überprüfung seiner Sicherheit und richtiger Funktion.

- Nur für professionellen Verbrauch geeignet
- Diese Bedienungsanleitung muss ordentlich und bedächtig gelesen werden, weil sie wichtige Informationen über Sicherheitsmerkmale, Installation und Anwendung beinhaltet
- Diese Empfehlungen beziehen auf diesen Produkt
- Der Produkt entspricht geltenden Normen
- Diese Anleitung muß ordentlich für die zukünftige Verwendung hinterlegt werden
- Hindern Sie den Kinder an Vorrichtungsm Manipulation
- Beim Verkauf oder Verlegung ist es notwendig sich zu überzeugen, daß die Bedienstperson oder Fachservis sich mit der Beherrschung und Installationsanweisung in beiliegender Anleitung, anvertraut gemacht haben.
- Das Produkt darf nur eingeschulte Bedienung bedienen
- Das Produkt darf nicht ohne Aufsicht ins Betrieb gesetzt sein
- Es ist empfohlen, minimal einmal pro Jahr eine Fachkontrolle durchführen zu lassen
- Bei eventueller Reparatur der Teilenumtauschungen müssen ausschließlich Originalteile angewendet werden
- Das Produkt darf nicht durch einen Wasserstrahl oder Druckbrause gereinigt werden
- Schalten Sie alle Leitungen (Wasser, Elektrizität, Gas) bei einer Störung oder beim schlechten Lauf aus und rufen Sie autorisierten Service an
- Der Hersteller verzichtet auf jegliche Verantwortung bei Störungen, die durch fehlerhafte Installation, Nichteinhaltung o.a. Empfehlungen, andere Verwendung u.ä, verursacht wurden

DIE PLATZIERUNG

Es ist unbedingt notwendig, zu der Regulation der Gerätetätigkeit, daß das Milieu - der Küche -, wo das Gerät installiert wird, sehr gut belüftbar ist (im Hinblick darauf: sei der Techniker sich mit geltenden Normen (EN) richtet). Wenn die Einrichtung so plaziert wird, daß sie im Mobiliarwandkontakt stehen wird, so müssen diese einer Temperatur von 90°C widerstehen. Die Installation, Herrichtung, Inbetriebnahme müssen durch qualifizierte Person, die zu solchen Vorkehrungen eine Befugnis hat und dies laut geltenden Normen nach, durchgeführt werden.

Packen Sie das Gerät aus und kontrollieren Sie , ob sich das Gerät während des Transportes nicht beschädigt hat. Platzieren Sie das Gerät auf eine waagrechte Fläche (maximale Unebenheit bis 2°). Stellen Sie das Gerät unter den Haubenabzug, damit Sie die Wasserdämpfe und den Geruch eliminieren. Das Gerät kann selbständig oder in einer Reihe mit Geräten unserer Herrstellung installiert werden. Es ist notwendig die minimale Entfernung von 10 cm zu anderen Gegenständen einzuhalten, so dass die Wärmeisolierung der brennbaren Teilen gewährleistet wird.

Das Gerät kann selbständig oder in einer Reihe mit Geräten unserer Herrstellung installiert werden. Es ist notwendig die minimale Entfernung von 10 cm zu anderen Gegenständen einzuhalten, so dass die Wärmeisolierung der brennbaren Teilen gewährleistet wird.

TECHNISCHE HINWEISE ZUR INSTALLATION UND REGELUNG

Wichtig:

Zur Benützung AUSSCHLIEßLICH nur für spezialisierte Techniker
Instruktionen, die folgen, wenden sich an den Techniker, der für die Installation qualifiziert ist, damit er alle Operationen mit der korrektesten Weise und laut der gültigen Normen durchführt.

Wichtig

Jeweils irgendeine Tätigkeit, die mit der Regulation verbunden ist u.ä, muß nur mit der aus dem Netz ausgezogenen und abgeschalteten Einrichtung vollgezogen sein.

Solange das Gerät unter der Spannung notwendig zu halten ist, eine höchste Vorsicht zu beachten vorliegt.

DIE SICHERHEITSVORRICHTUNGEN AUS DER SICHT DES FEUERSCHUTZES LAUT EN. 061008 ČL. 21

Die Einrichtungsbedienung dürfen nur Erwachsene ausführen

- Das Gerät darf sicher in gewöhnlicher Umgebung laut EN 332000-4-482; EN 332000-4-42 verwendet werden.
- Es ist notwendig das Gerät so platzieren, daß es auf einer unbrennbaren Grundlage steht oder hängt.
- Es dürfen, auf und in eine Entfernung, die kleineremase als sicher vom Gerät bezeichnet wird, keine Gegenstände aus brennbaren Materilien (die kleinste Entfernung vom Brennbarem ist 10 cm) aufgestellt werden.
- Die sicheren Entfernungen von Massen der einzelnen Brenngra

Tabelle:

Baumassefeuerbrenngrad ins Brenngrad (EN) der Massen und Produkte eingegliedert

A	Unbrennbar	Granit, Sandstein, beton, Ziegel, Keramikbekleidung, Putz
B	nicht einfach brennbar	Akumin, Heraklit, Lihnos, Itaver
C1	schwer brennbar	Holz, Laubbaum, Furnier Sirkoklit, Festpapier, Umakart
C2	mittel brennbar	Holzspanplatten, Solodur, Korkplatten, Hartgummi, Bodenbeläge
C3	leicht brennbar	Holzfasernplatten, Polystyren, Polyureten, PVC

Die Bedarfsartikel müssen sicher installiert werden und sind mit regulierenbaren Beinchen - zur Ausgleichen der Höhe und der Unebenheiten eingestattet.

Die Geräte müssen in einer sicheren Weise installiert werden. Bei der Installation müssen weiter betreffende Projekt-, Sicherheits-, und Hygienevorschriften respektiert werden.

- EN 06 1008 Feuerschutz der örtlichen Geräte und der Wärmquellen
- EN 33 2000 (33 2000-4-482; 33 2000-4-42) Umgebung für elektrische Geräte
- Gasversorgung -Gasleitunge in Gebäuden - Höchste Verkehrsdruck ≤ 5 BarVerkehrsansprüche,
- § 10 des Gesetzes Nr.185/2001 Sb., der Abfälle betrifft.

ROHR FÜR GASANSCHLÜSSEN

Es muss zuerst feststellen, ob das Gerät für die gleiche Art von Gas, das verwendet werden soll, wird und entspricht damit den auf dem Etikett die Art des Gases verwendet werden.

Die Umwandlung von Gas Pfanne auf eine andere Gasart müssen Sie überprüfen, ob es auf die Art der Gas-Lager, die in diesem Handbuch empfohlen wird, entspricht.

Anschließen des Gerätes an die Gasversorgung muss Anhängelast auf einer Stahl-oder Kupferrohr Beachtung der geltenden nationalen Anforderungen. Dies muss regelmäßig kontrolliert werden und bei Bedarf geändert. Jedes Gerät muss mit Absperrventil und schnelle Absperrventil ausgestattet sein. Schnell-Absperrventil muss frei zugänglich sein und innerhalb der Reichweite des Gerätes. Nach der Installation ist zu prüfen, ob es ein Gas austritt. Um ein Gasleck Sie Seifenwasser oder Spray zur Lecksuche können zu finden.

Verwenden Sie keine ätzenden Stoffen! Alle unsere Geräte werden sorgfältig kontrolliert. Gasart, Druck und der Kategorien auf der technischen Informationen Platte benannt.

Flüssiggas-Anschluss:

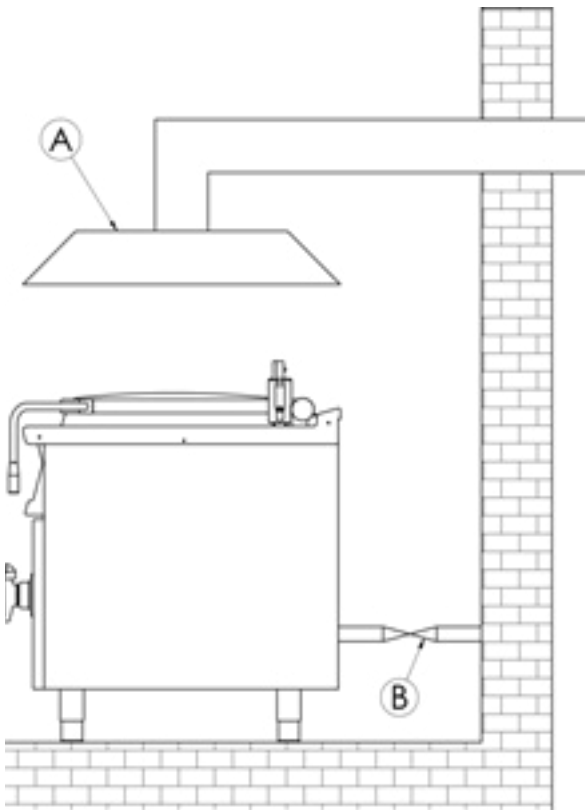
Der Druck für Flüssiggas-Verbindung muss 28 oder 30 mbar für Propan / Butan und 37 mbar für Propan sein. Es ist notwendig, um die technische Etikett überprüfen, messen den Druck und Kontrolle der Parameter der Düse wird mit den erforderlichen Parametern der Düse gemäß der Herstellerangaben installiert. Ist der Druck niedriger als 25mbar oder höher als 37 mbar, darf das Gerät nicht ANZUSCHLIESSEN.

Gas-Anschluss:

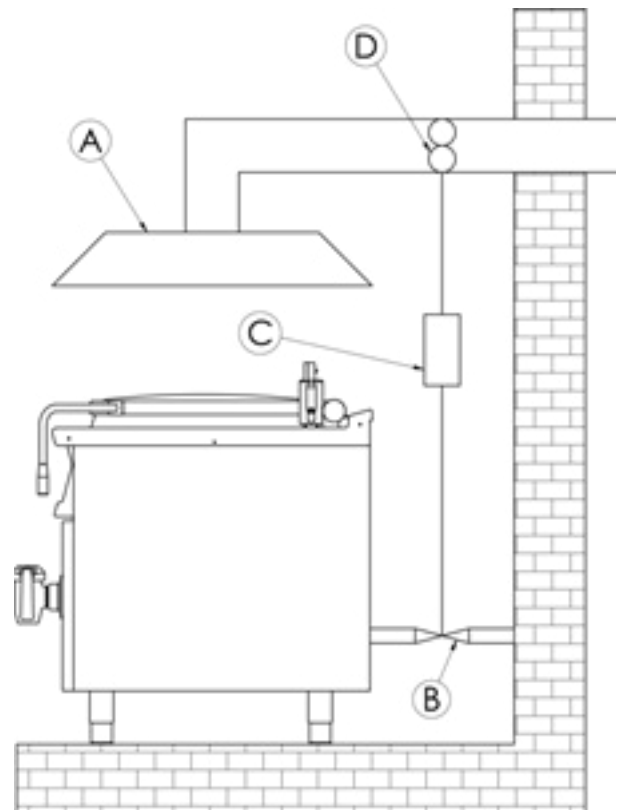
Der Druck für die Methan-Anschluss muss 18 oder 20 mbar betragen. Es ist notwendig, um die technische Etikett überprüfen, messen den Druck und Kontrolle der Parameter der Düse wird mit den erforderlichen Parametern der Düse gemäß der Herstellerangaben installiert. Wenn der Gasdruck niedriger ist als 15 mbar oder höher als 22,5 mbar, darf das Gerät nicht ANZUSCHLIESSEN.

KAMIN-DESIGN FÜR EIN GERÄT VOM TYP A

NATURAL EXTRACTION



ABSAUGANLAGE



Outlet Kapuze mit natürlichen Extraktion (A). Rauchgas sorgt für einen natürlichen Kaminzug.

Outlet Haube ohne natürliche Extraktion. Rauchgas wird durch einen Ventilator (D) (erzwungene Extraktion) gesichert. In diesem Fall ist es erforderlich, die Verbindung mit einer Gaszuführung (B), um die Gaszufuhr bei Ausfall zu sichern.

PRÜFEN der Gasart Das Gerät ist für EINGESTELLT

Unsere Geräte sind zertifiziert und reguliert das Erdgas (siehe technische Platte). Umwandlung oder Anpassung an eine andere Gasart müssen von autorisiertem Personal durchgeführt werden. Düsen für verschiedene Arten von Gas sind in einer Tüte mit dem Gasherd gestellt und sind im hundertstel mm (Tabelle der technischen Daten Rohre) markiert.

Düsenwechsel und Druckeinstellung (Abb. 1, 2, 3)

Es sollte wie folgt vorgehen:

Entfernen Sie Raster aus oberen Teil des Kocher, ganze Oberteil des Brenners und GN (Anm. 1, 2, 3, 4, Abb. 1)

Abschrauben der Düse (Anm. 5, Abb. 2, 3) mit Schlüssel-Nr. 13 mm und ersetzen Sie sie durch eine andere von der gewünschten Art des Gases.

Führen Sie die Montage in umgekehrter Reihenfolge. Stellen Sie sicher, dass verschiedene Teile eng zueinander passen. Air Control (Abb. 3, Anm. 8) ist immer voll geöffnet.

Zündbrenner werden kann, so anpassen, also brauchen lösen Sicherheitsmutter (Anm. 6, Abb. 3) mit Schlüssel-Nummer 11 mm. Dann mit dem Schraubenschlüssel Nummer 7 mm, binden oder lösen Düse (Anm. 7, Abb. 3) und die Flamme in die gewünschte Größe.

wichtig:

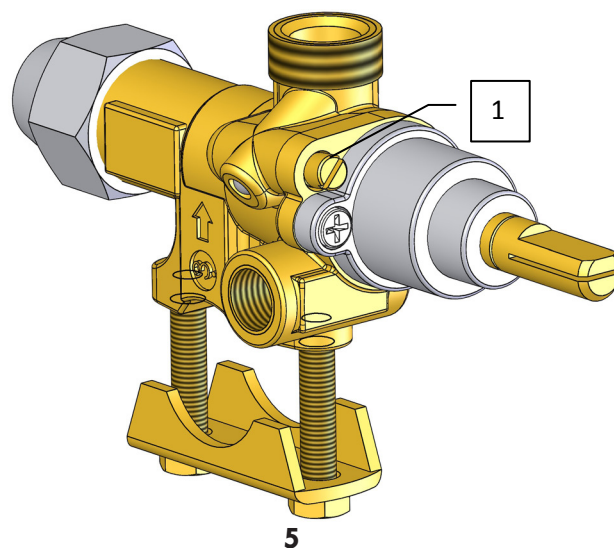
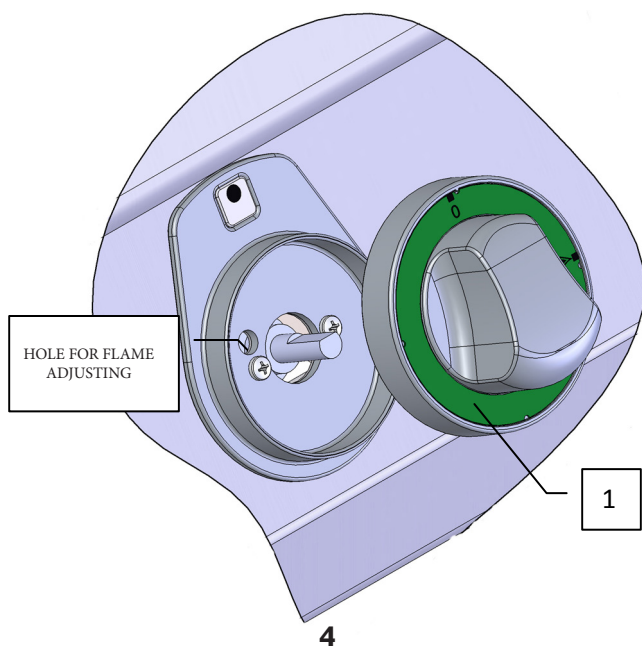
Nach dem, was getan Einstellen des Gerätes an andere Art von Gas, ist es notwendig, das Gas auf dem technischen Platte an einer sichtbaren Stelle an der Rückseite des Geräts angeben ändern.

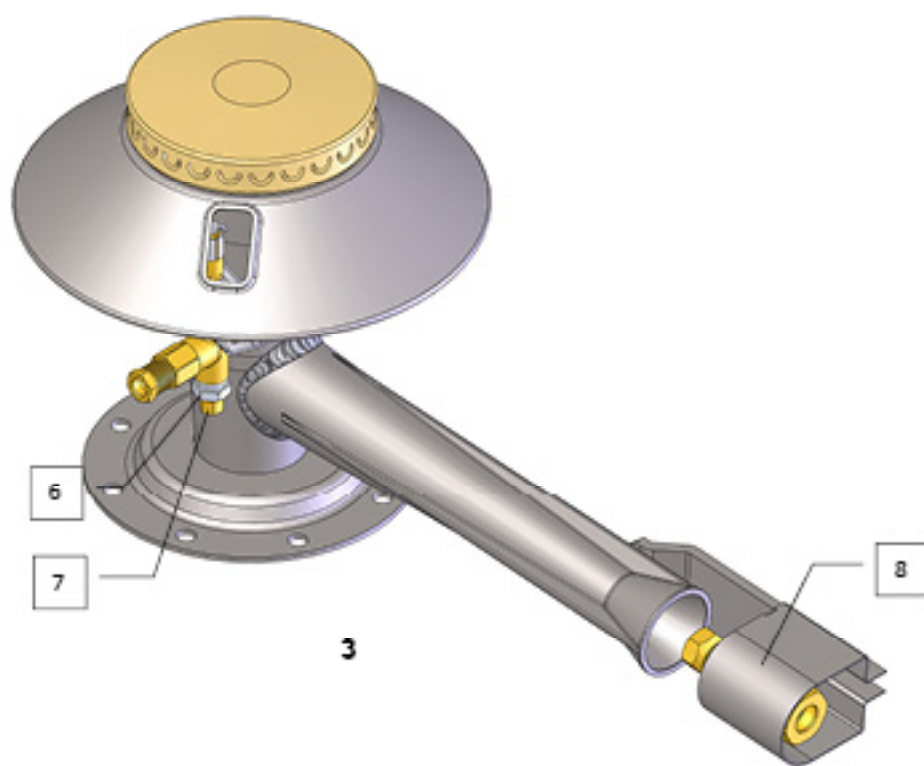
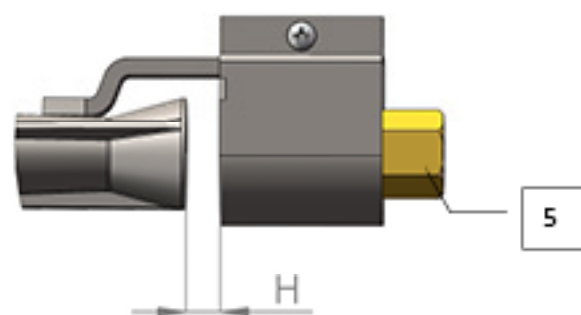
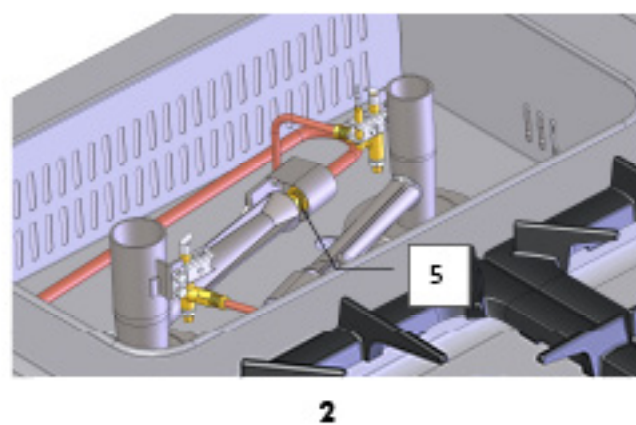
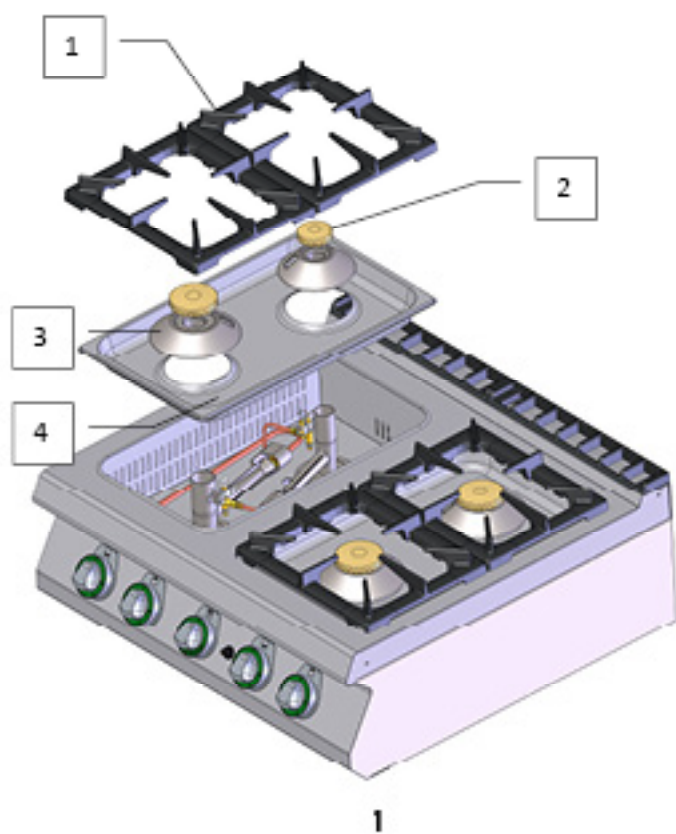
Anpassen der Flamme bei reduzierter Leistung „SPAREN“

Flamme bei reduzierter Leistung „Speichern“ kann mit der Schraube in dem Ventilkörper (Anm. 1, Abb. 5). Platziert gesetzt werden positioniert neben dem Ventilschaft

Für die Einstellung wie folgt vorgehen:

- Entfernen Sie den Drehknopf (Anm. 1, Abb. 4). Ziehen Sie in Richtung
- Stellen Sie die Flamme durch das Loch mit Schraubenzieher





BEDIENUNGSANLEITUNG

Anzündung und Regulierung des Brenners ohne Dauerflamme - Bilder 1,2-Standard ausführung

Drehen Sie den Regulierungsknopf des zuständigen Brenners (A) in die Position „Anzünden des Hauptbrenners“ und dann drücken Sie den Knopf und halten Sie ihn, nun können Sie die Flamme durch ein Streichholz oder Feuerzeug entzünden. Nach dem Entzünden des Brenners halten Sie den Knopf (A) noch ein paar Sekunden, sobald die Thermosicherung erwärmt ist, können Sie den Knopf loslassen. Falls die Flamme ausgeht, wiederholen Sie den ganzen Vorgang.

Niedrigere Leistung (sporo) - Bilder 1,2

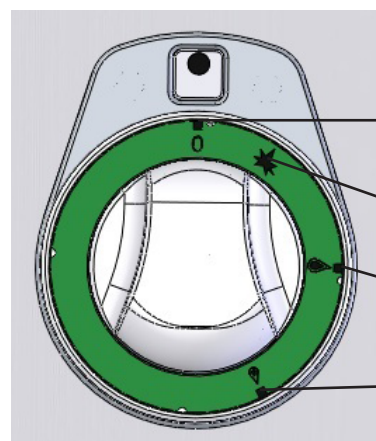
Drehen Sie den Knopf (A) in Position „sporo“. Damit stellen Sie Brennen für niedrigere Leistung (sporo).

Ausschaltung der zuständigen Brenner - Bilder 1,2

Drehen Sie den Knopf (A) in Position „0“.



① BETÄTIGUNGSKNOPF DES BRENNERS



Ausschaltet

Anzünden des Hauptbrenners

Hauptbrenneranzündung

Öko(niedrigere Leistung)

DIE REINIGUNG UND INSTANDSHALTUNG

ACHTUNG! Die Einrichtung darf nicht mit Direkt-, oder Druckwasserstrahl gereinigt werden. Reinigen Sie das Gerät täglich. Die Lebensdauer und Gerätewirkung wird durch die tägliche Wartung gewährleistet. Überzeugen Sie sich, vorm Reinigungsanfang, dass Sie die Einrichtung vom Elektrostrom abgeschaltet haben. Schalten Sie immer die Gerätehauptzufuhr ab. Waschen Sie die Edelstahlteile mit feuchtem Waschlappen, der im Waschpulver getauft ist und keine grobe Teilchen aufweist. Wischen Sie alles ins Trockene ab. Verwenden Sie keine abrasive- oder korrosionsreiche Reinigungsmitteln.

WIE MAN IM FALLE EINER STÖRUNG VORANGEHEN SOLL

Schalten sie die elektrische Stromleitung ab und rufen die Serviceorganisation des Verkäufers an.

HINWEIS

Die Garantie bezieht sich nicht auf alle Verbrauchsteile, die der geläufiger Abnutzung unterstehen (gesamte Gummidichtungen, Glühlampen, alle glasemde und plastische Teile, usw.). Die Garantie bezieht sich nicht weiterhin auf Einrichtungen, die durch befugte Person laut Anweisung und entsprechender Normen nicht installiert worden sind und wenn mit dem Gerät unfachmännisch manipuliert wurde (Eingriffe ins Innere) und auf Beschädigungen durch Natureinflüsse oder Ausseneingriffe.

Wie man eine Stahlgrillplatte pflegen soll:

- die Grillplatte einheizen
- Abschalten
- mit einem Spachtel oder Schaber reinigen
- Wasser mit Reinigungsmittel /z.B. RM Grillreiniger/ auf die Platte eingiessen, Schmutze und Schämme ordentlich entfernen
- Rein Wasser auf die Grillplatte eingiessen, passend ist auch eine Essig- oder Zitronenlösung
- Rest des Wassers abwischen und die Platte mit dem Tuch abtrocknen
- restliche Nässe abdampfen lassen
- die Grillplatte mit Pflanzenoil aufstreichen

Wie man eine verchromte Grillplatte pflegen soll:

- die Grillplatte einheizen
- abschalten
- Mit einem Kunststoffspachtel oder Schaber reinigen
- Wasser mit Reinigungsmittel auf die Platte eingiessen, Schmutze und Schämme mit einem Schwamm entfernen
- Rein Wasser auf die Grillplatte eingiessen
- Rest des Wassers abwischen und die Platte mit dem Tuch abtrocknen
- Restliche Nässe abdampfen lassen

DÉCLARATION DE CONFORMITÉ

Le fabricant certifie la conformité des appareils aux normes 2016/426/EU; 2014/35/EU; 2014/30/EU à la loi n° 22/1997 sb., 258/2000 sb., 38/2001 sb., 118/2016 sb., 117/2016 sb. et aux décrets applicables. L'installation doit être effectuée dans le respect des normes en vigueur. Attention: le fabricant décline toute responsabilité en cas de dommages, directs ou indirects, causés par une mauvaise installation, par une utilisation, des interventions ou des modifications impropres, par un entretien insuffisant, ainsi qu'en cas de dommages dérivant des causes mentionnées dans les conditions de vente. L'appareil objet de la présente notice est prévu pour un usage professionnel, aussi son utilisation doit-elle être confiée à un personnel possédant les compétences nécessaires à cet effet. L'utilisateur ne doit procéder à aucune intervention ni à aucune modification sur les parties réglées et protégées par le fabricant ou autre personnel autorisé à cet effet.

CARACTÉRISTIQUES TECHNIQUES

L'étiquette sur laquelle figurent les caractéristiques techniques est apposée sur la partie postérieure de l'appareil. Avant de procéder à l'installation, prendre connaissance du schéma électrique et de toutes les informations que contient la présente notice.

Nature du produit	Puissance thermique	Puissance (kW)	Dimension (mm)	Diametre de bac
STPS 708 G	1x6,6kW+1x8,5kW+1x4kW	19,1	800x756x313	4 kW - min. 14 cm; max. 38 cm 8,5 kW - min. 14 cm; max. 50 cm
STPS 780 G	1x6,6kW+1x8,5kW+1x4kW	19,1	800x756x933	
STPS 7012 G	1x6,6kW+3x8,5kW+1x4kW	36,1	1200x756x313	
STPS 7120 G	1x6,6kW+3x8,5kW+1x4kW	36,1	1200x756x933	
ST 708 G	1x10,8 kW	10,8 kW	800x756x313	
ST 780 G	1x10,8 kW	10,8 kW	800x756x933	

Informations	type de gaz						
	G30 28-30 mbar	G30 37 mbar	G30 50 mbar	G20 20 mbar	G25 25 mbar	G25 20 mbar	G20 25 mbar
brûleur 8,5 kW							
Diamètre brûleur 1/100mm	145	140	130	215	225	245	205
Parametres de kontrole de lair (mm)	ouvrir	ouvrir	ouvrir	3,5	3,5	3,5	3,5
Gasverbrauch	0,670 kg/h	0,670 kg/h	0,670 kg/h	0,899 m³/h	1,046 m³/h	1,046 m³/h	0,899 m³/h
brûleur 4 kW							
Diamètre brûleur 1/100mm	95	90	85	150	155	165	140
Parametres de kontrole de lair (mm)	ouvrir	ouvrir	ouvrir	fermé	fermé	fermé	fermé
La consommation de gaz	0,355 kg/h	0,355 kg/h	0,355 kg/h	0,476 m³/h	0,554 m³/h	0,554 m³/h	0,476 m³/h
brûleur pilote							
Diamètre brûleur 1/100mm	24	24	24	réglage	réglage	réglage	réglage

Informations	type de gaz					
	G25.1 25 mbar	G2.350 13 mbar	G27 20 mbar	G31 30-37 mbar	G31 37 mbar	G31 50 mbar
brûleur 8,5 kW						
Diamètre brûleur 1/100mm	240	315	250	145	140	130
Parametres de kontrole de lair (mm)	3,5	ouvrir	3,5	ouvrir	ouvrir	ouvrir
La consommation de gaz	1,044 m³/h	1,249 m³/h	1,097 m³/h	0,660 kg/h	0,660 kg/h	0,660 kg/h
brûleur 4 kW						
Diamètre brûleur 1/100mm	160	205	170	95	90	85
Parametres de kontrole de lair (mm)	fermé	fermé	fermé	ouvrir	ouvrir	ouvrir
La consommation de gaz	0,553 m³/h	0,661 m³/h	0,581 m³/h	0,350 kg/h	0,350 kg/h	0,350 kg/h
brûleur pilote						
Diamètre brûleur 1/100mm	réglage	réglage	réglage	24	24	24

CONTROLE DE L'EMBALLAGE ET DE L'APPAREIL

En vue de son transport, l'appareil quitte les établissements du fabricant parfaitement emballé (sur l'emballage sont apposés les étiquettes et les symboles nécessaires à cet effet). L'emballage contient également la notice des instructions d'utilisation. Dans le cas où l'emballage présenterait des dommages ainsi que dans le cas où il s'avérerait qu'il a été manipulé sans les précautions nécessaires, il est impératif d'adresser sans attendre une déclaration au transporteur en y joignant une acceptation de la marchandise sous réserve.

Recommandation importante:

-Le produit est destiné uniquement à un usage intérieur.

N'utilisez jamais cet appareil si le cordon ou la fiche sont endommagés, si l'appareil fait défaut, s'il a été échappé ou endommagé ou immergé. Dans ce cas, retournez cet appareil au centre service autorisé pour examen.

- Pour usage professionnel seulement
- La présente notice des instructions d'utilisation et d'entretien contient d'importantes informations relatives à la sécurité, à l'installation et à l'utilisation; il est nécessaire d'en effectuer attentivement la lecture.
- Les recommandations se réfèrent à l'appareil objet de la présente notice.
- L'appareil est conforme aux normes en vigueur.
- Veiller à bien conserver la notice de telle sorte qu'elle puisse être consultée à tout moment en cas de besoin.
- Ne pas laisser des enfants s'approcher de l'appareil durant son utilisation.
- Pendant la vente ou après le déménagement de l'appareil vérifier que le personnel lise attentivement la présente notice d'utilisation
- L'appareil ne peut être utilisé que par le personnel instruit
- L'appareil ne peut être laissé en marche sans surveillance
- Il est recommandé de faire l'appareil contrôler au moins une fois par an dans un service spécialisé
- Ne pas utiliser que des pièces détachées originelles.
- En cas de défaut ou de mauvaise fonction, débrancher l'appareil (eau, gaz, électricité) et appeler un service spécialisé
- Le fabricant décline toute responsabilité en cas de dommages, directs ou indirects, causés par une mauvaise installation, utilisation, etc

LA LOCATION

Le local dans lequel l'appareil est installé doit être bien ventilé. Si l'appareil doit toucher le parois, celui-ci doit résister à la chaleur de 90°C au minimum. L'installation, le réglage et la mise en marche doivent être effectués par une personne qualifiée ayant une autorisation nécessaire selon les normes en vigueur.

Déballez l'appareil et vérifiez s'il n'était pas endommagé pendant le transport. Placez l'appareil sur une surface horizontale (pente maximale de 2°). Placez l'appareil sous une hotte pour éliminer la vapeur et mauvaise odeur.

L'appareil peut être installé seul ou en série avec d'autres appareils de notre fabrication. Il faut respecter la distance minimale de 10 cm entre l'appareil et d'autres objets ainsi qu'éviter le contact avec les matériaux inflammables. Dans ce cas il faut prévoir les arrangements nécessaires pour assurer la protection des parties inflammables.

INSTRUCTIONS TECHNIQUES POUR INSTALLATION ET REGLEMENT

Important:

Le fabricant ne fournit pas de garantie pour les défauts causés par l'usage, tout manquement impropre aux instructions contenues dans les instructions ci-jointes pour l'utilisation et aux mauvais traitements des appareils.

Installation, réglage et réparation d'appareils pour les cuisines, ainsi que leur élimination en raison de dommages possibles au gaz peut être effectuée qu'en vertu d'un contrat de maintenance, ce contrat peut être signé avec un distributeur agréé, et doivent être conformes à la réglementation technique et normes et réglementations concernant l'installation, l'alimentation, de raccordement de gaz et de la santé et la sécurité du système.

Ces instructions sont destinées au technicien qualifié qui doit effectuer l'installation, le mettre en marche et tester l'appareil.

Toute activité en tant que paramètres, le placement, le rééquilibrage etc, doit être faite que lorsqu'il est périphérique déconnecté de l'électricité. Si il est nécessaire d'avoir le périphérique connecté à l'électricité, vous devez garder la plus grande attention afin d'éviter toute blessure.

MÉSURES DE SÉCURITÉ POUR LA PROTECTION CONTRE INCENDIE SELON EN 06 1008 ARTICLE 21:

- l'appareil ne peut être utilisé que par des personnes majeures
- l'appareil peut être utilisé dans un espace ordinaire selon EN 332000-4-482; 332000-4-42
- l'appareil doit être placé ou suspendu d'une manière stable sur une surface ininflammable

Il est interdit de placer sur l'appareil ou dans la distance inférieure à 10 cm de l'appareil des objets inflammables.

- les distances de sécurité pour les matériaux inflammables selon leurs degré d'inflammabilité et les informations sur l'inflammabilité des matériaux de construction – voir le tableau

Tableau:

degré d'inflammabilité d'un matériel de construction (EN 730823)

A ininflammables	granit, grès, béton, briques, carrelage céramique, enduit
B difficilement inflammables	acumin, héraclite, lihnos, itaver
C1 mal inflammables	bois des arbres feuillus, contre-plaqué, papier durci, umakart
C2 inflammabilité moyenne	aggloméré, solodur, liège, caoutchouc, revêtements
C3 inflammabilité facile	planches de fibre de bois, polystyrène, polyurethane, PVC

L'appareil doit être installé d'une manière sûre. Pour l'ajustage de l'appareil est ce-ci procuré des pieds réglables.

- EN 06 1008 protection contre incendie des consommateurs d'énergie locaux et des émetteurs de chaleur
- EN 33 2000 (33 2000-4-482; 33 2000-4-42) le milieu pour les appareil électriques

TUYAU D'AMENÉE DU GAZ

Il faut d'abord déterminer si l'appareil est fait pour le même type de gaz qui sera utilisé et est donc conforme aux indications figurant sur l'étiquette du type de gaz utilisé.

La conversion de la poêle à gaz à un autre type de gaz, vous devez vérifier si elle correspond au type de palier à gaz, ce qui est recommandé dans ce guide.

Connexion de l'appareil à la distribution de gaz doit être tractable à un tube d'acier ou de cuivre se conformer aux exigences applicables nationales. Ce doit être contrôlée sur une base régulière et changé si nécessaire. Chaque appareil doit être équipé d'un robinet d'arrêt et rapide robinet d'arrêt. Rapide robinet d'arrêt doit être librement accessible et à portée de main de l'appareil. Après l'installation, est nécessaire pour vérifier s'il ya une fuite de gaz. Pour trouver une fuite de gaz, vous pouvez utiliser de l'eau savonneuse ou un spray pour la détection de fuite de gaz.

Ne pas utiliser de substances corrosives! Tous nos appareils sont soigneusement contrôlés. Type de gaz, la pression et des catégories énumérées le nom figure sur la plaque de l'information technique.

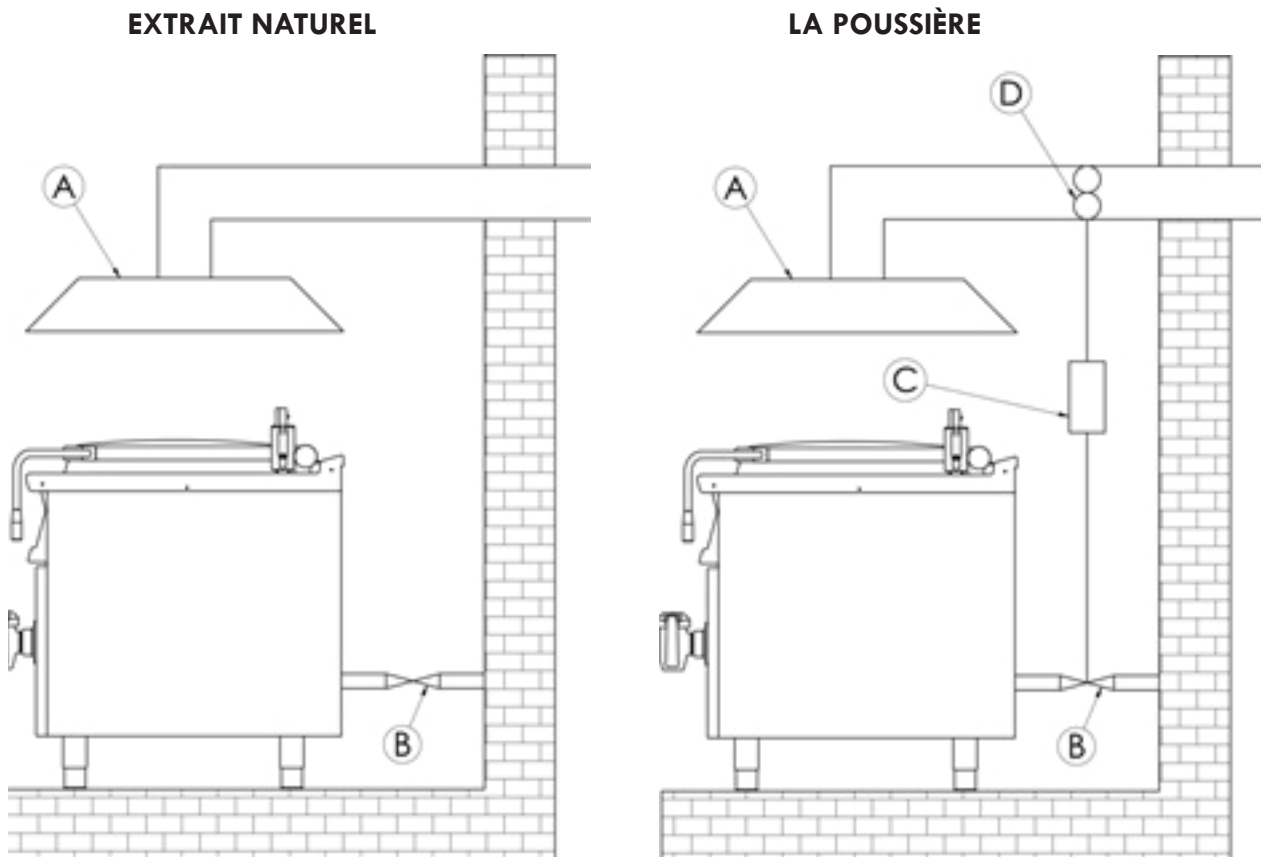
Raccordement au gaz liquide:

La pression de gaz pour le raccordement de liquide doit être 28 ou 30 mbar pour le propane / butane et 37 mbar pour le propane. Il est nécessaire de vérifier l'étiquette technique, d'évaluer la pression et vérifier les paramètres de la buse est installé avec les paramètres requis de la buse selon les indications du fabricant. Si la pression est inférieure à 25mbar ou supérieure à 37 mbar, l'appareil doit ne pas être connecté.

Raccordement au gaz:

Pression pour la connexion du méthane doit être 18 ou 20 mbar. Il est nécessaire de vérifier l'étiquette technique, d'évaluer la pression et vérifier les paramètres de la buse est installé avec les paramètres requis de la buse selon les indications du fabricant. Si la pression du gaz est inférieure à 15mbar ou supérieur à 22,5 mbar, l'appareil doit ne pas être connecté.

CHEMINÉE POUR LA CONCEPTION D'UN DISPOSITIF DE TYPE A



Hotte aspirante avec extraction naturelle (A). Gaz de combustion fournit un tirage de la cheminée naturelle.

Bouchon à la sortie sans extraction naturelle. Des gaz de combustion est assurée par un ventilateur (D) (extraction forcée). Dans ce cas il faut assurer la connexion avec une alimentation en gaz (B) à l'alimentation en gaz en cas de défaillance.

CONTRÔLE DU RÉGLAGE DE L'APPAREIL SUR LE TYPE DU GAZ :

Nos appareils sont certifiés et réglementés du gaz naturel (voir la plaque technique). Conversion ou l'adaptation à un autre type de gaz doit être effectuée par du personnel autorisé. Buses pour différents types de gaz sont dans un sac fourni avec la cuisinière à gaz et sont marqués en centièmes de mm (table des tuyaux de données techniques).

Remplacement de la buse et de réglage de pression (Fig. 1, 2, 3)

Il convient de procéder comme suit:

Retirer la grille de la partie supérieure de la cuisinière, la partie supérieure l'ensemble du brûleur et GN (note 1, 2, 3, 4, fig. 1)

Dévissez la buse (note 5, fig. 2, 3) avec la clé pas. 13 mm et le remplacer par un autre par le type désiré de gaz.

Effectuer le montage dans l'ordre inverse. Assurez-vous que les différentes parties épouser les uns aux autres. Le contrôle aérien (fig. 3, note 8) est toujours complètement ouverte.

Veilleuse peut être ajusté de façon, qui est le besoin délier écrou de sécurité (note 6, fig. 3) avec le numéro de clé 11 mm. Puis, avec le numéro clé de 7 mm, lier ou délier buse (note 7, fig. 3) et régler la flamme dans la taille désirée.

Important:

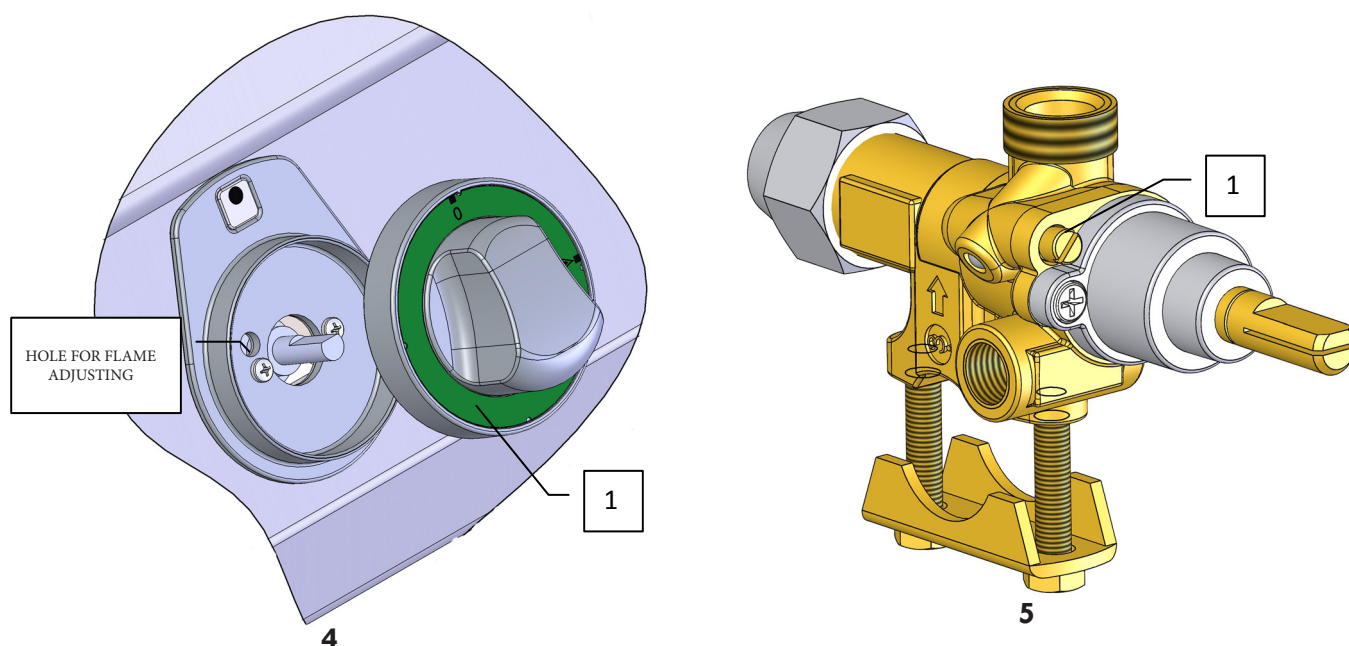
Après ce qui s'est fait ajuster l'appareil à un autre type de gaz, il est nécessaire de changer le gaz indiqué sur la plaque technique situé dans un endroit visible sur le dos de l'appareil.

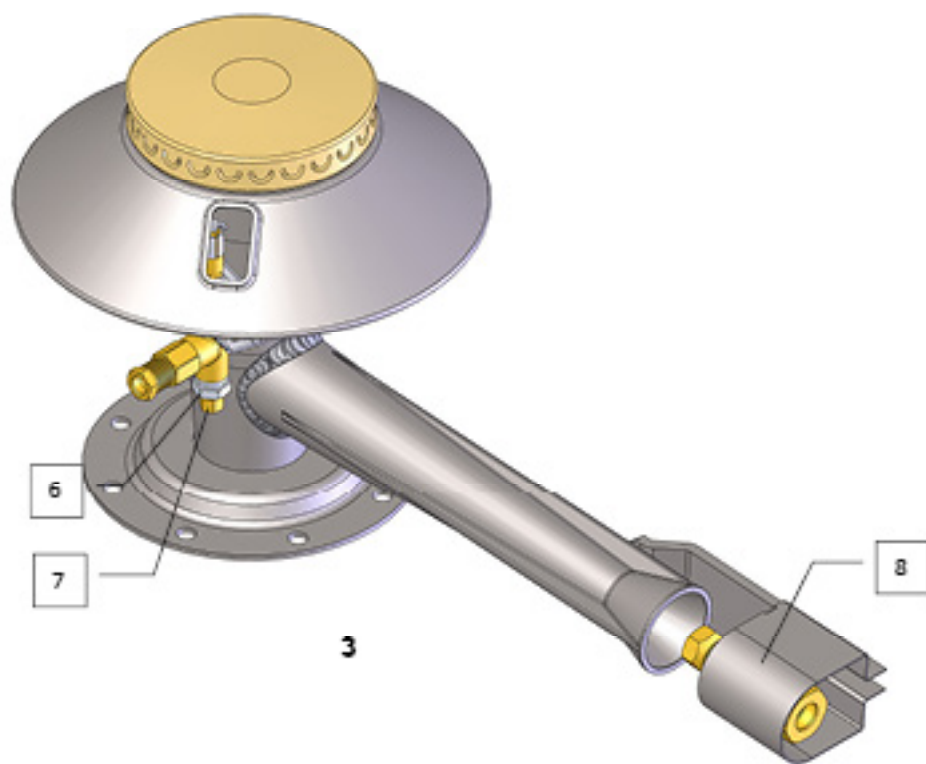
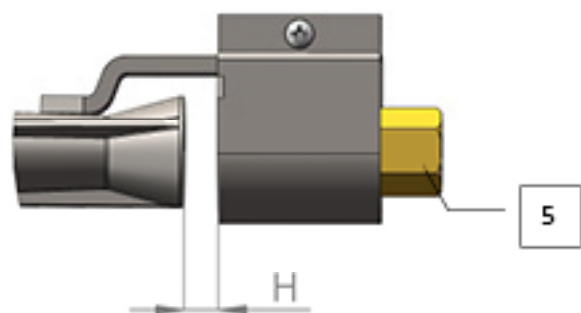
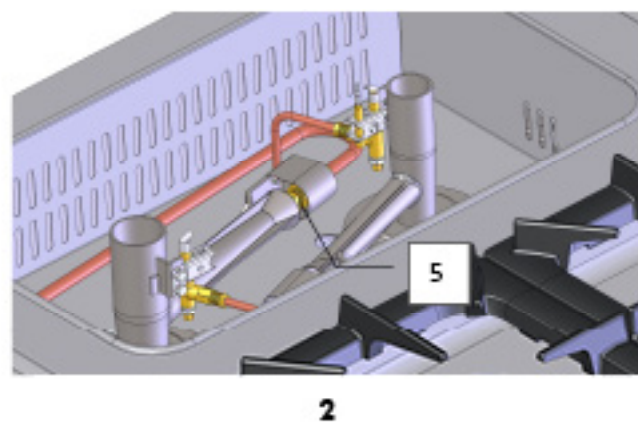
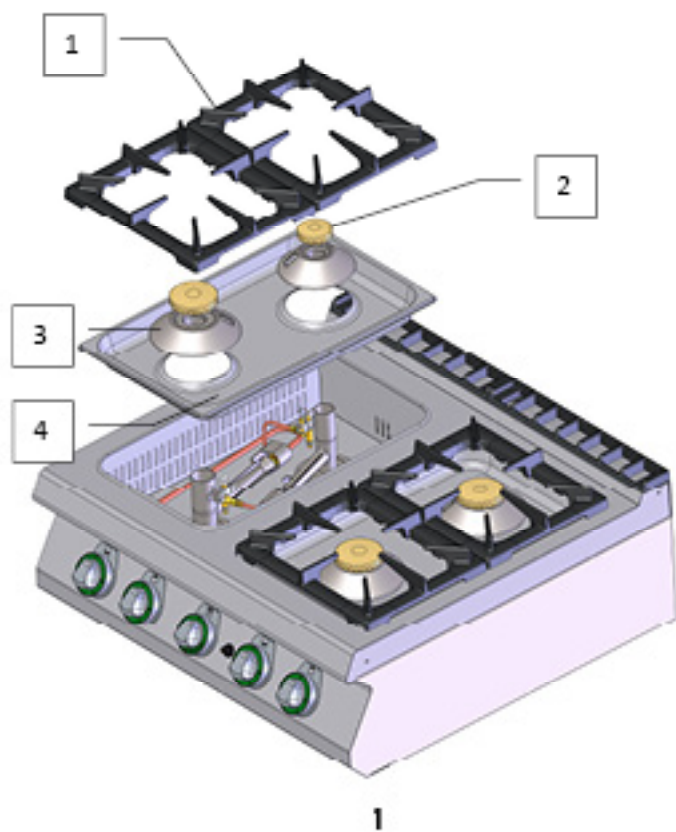
Réglage de la flamme à la performance „ECONOMIE“ réduite

Flamme à la performance „ECONOMIE“ réduite, peut être réglée avec la vis placée dans le corps de la vanne (Note. 1, fig. 5) placée à côté de tige de soupape

Pour le réglage, procédez comme suit:

- Retirer le bouton de commande (Note. 1, fig 4). Tirant vers vous
- Régler la flamme à travers le trou avec un tournevis plat





DESCRIPTION DE L'USAGE

Allumage du brûleur principal et régulation de la puissance thermique : tab. 1, 2

Mettre le bouton du robinet (A) dans la position « l'allumage du brûleur principal », appuyer sur lui et tenir, appuyer plusieurs fois sur le bouton de l'allumeur piezo jusqu'à ce que le brûleur principal ne s'allume. Vous pouvez voir la flamme à travers le trou dans le panneau frontal. Tenez le bouton (A) encore pendant quelques secondes jusqu'à ce que la sonde thermique chauffe, puis lâchez le bouton. Si la flamme s'éteint, répétez le procédé.

La flamme économique tab. 1, 2

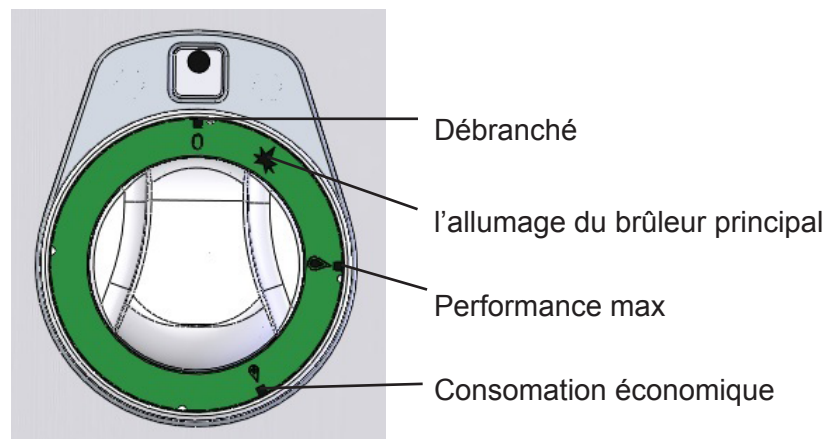
Mettez le bouton (A) dans la position « flamme économique », ainsi la flamme est réduite pour une consommation économique.

Pour éteindre l'appareil tab. 1, 2

Mettez le bouton (A) dans la position « 0 ».



① BOUTON DE COMMANDE DU BRÛLEUR



NETTOYAGE ET ENTRETIEN

Il est recommandé de faire contrôler l'appareil dans un service spécialisé au moins une fois par an. Toutes les interventions peuvent être effectuées seulement par une personne qualifiée ayant une autorisation pour ces interventions.

ATTENTION ! L'appareil ne peut pas être nettoyé sous l'eau courante ou de pression. Nettoyer l'appareil chaque jour. Nettoyage quotidien prolonge la vie et le fonctionnement de l'appareil. Avant le nettoyage vérifier, si l'appareil est débranché. Toujours débrancher l'alimentation principale. Les pièces en inox nettoyer à l'aide d'un torchon humide et un détergent sans particules abrasives, rincer, sécher. Ne jamais utiliser les produits abrasifs ou corrosifs.

Comment procéder en cas de panne de l'appareil

Débrancher l'appareil et appeler le service spécialisé.

AVERTISSEMENT:

La garantie ne concerne pas les bourrelets en caoutchouc, bulbes, parties en verre et en plastique. Elle ne concerne également pas tout l'appareil si l'installation n'a pas été effectuée par une personne qualifiée, selon le mode d'installation ou selon les normes en vigueur ou si l'appareil n'a pas été utilisé selon le mode d'emploi, s'il y avait des interventions nonprofessionnelles (interventions à l'intérieur de l'appareil). La garantie ne concerne pas les endommagements causés par la pluie, vent, etc.

Mode de maintenance de la plaque d'acier :

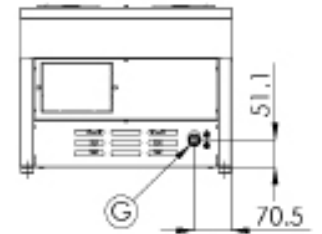
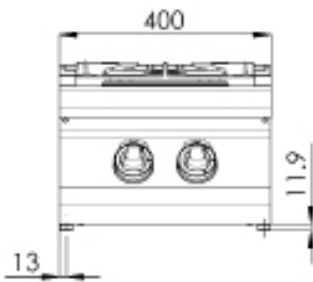
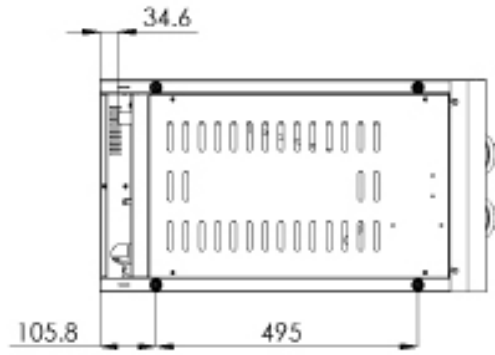
- réchauffer
- éteindre
- nettoyer/ enlever avec la spatule (peut être métallique) – positionnée à plat, pas sur l'arête
- utiliser l'eau avec le détergent (peut être le RM grill) et enlever la saleté résiduelle et les dépôts
- utiliser l'eau propre (avec du vinaigre ou du citron)
- sécher et éponger
- laisser s'évaporer l'humidité résiduelle (plus facile si la plaque est encore chaude)
- huiler des plaques de grill

Mode de maintenance de la plaque chromée :

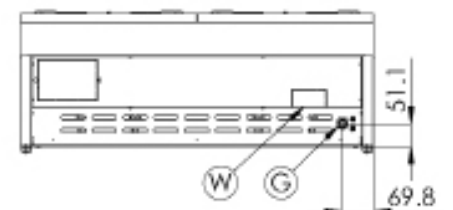
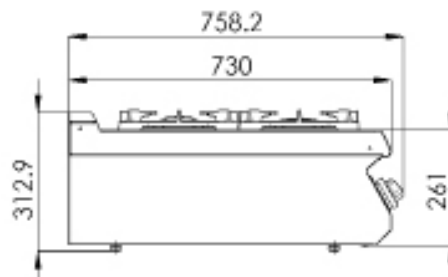
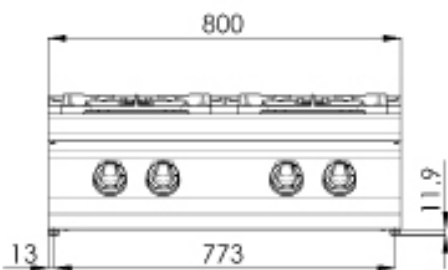
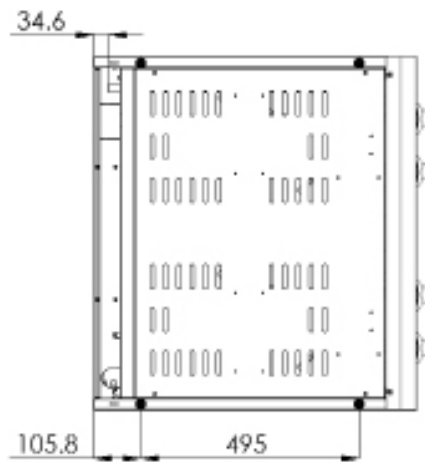
- réchauffer
- éteindre
- gratter par la spatule en plastique
- utiliser l'eau avec le détergent et rincer
- utiliser l'eau propre
- sécher et éponger
- laisser s'évaporer l'humidité résiduelle (plus facile si la plaque est encore chaude)

DIMENSION PLANS / MASSKIZZEN / DIMENSIONS

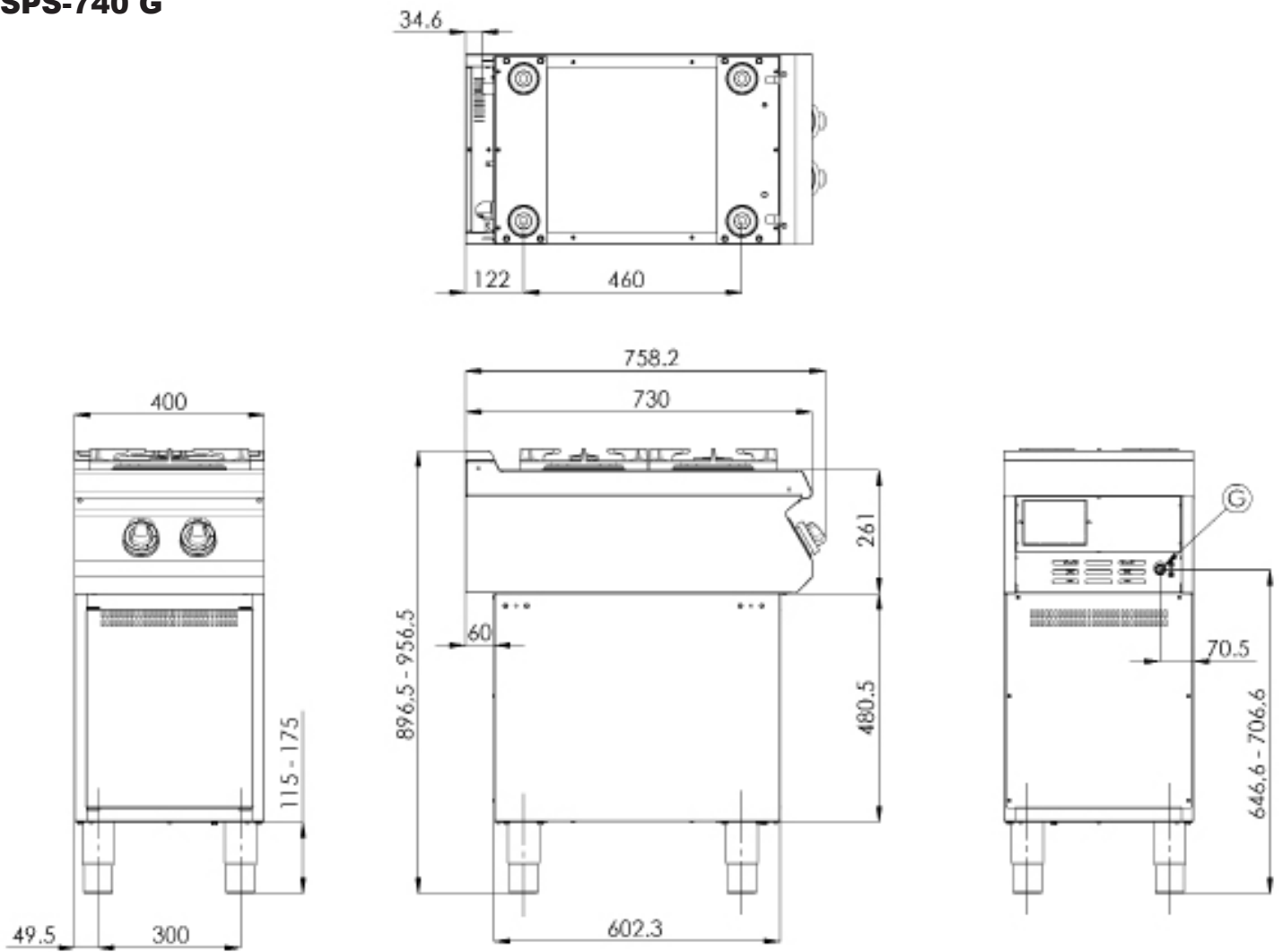
SPS-704 G



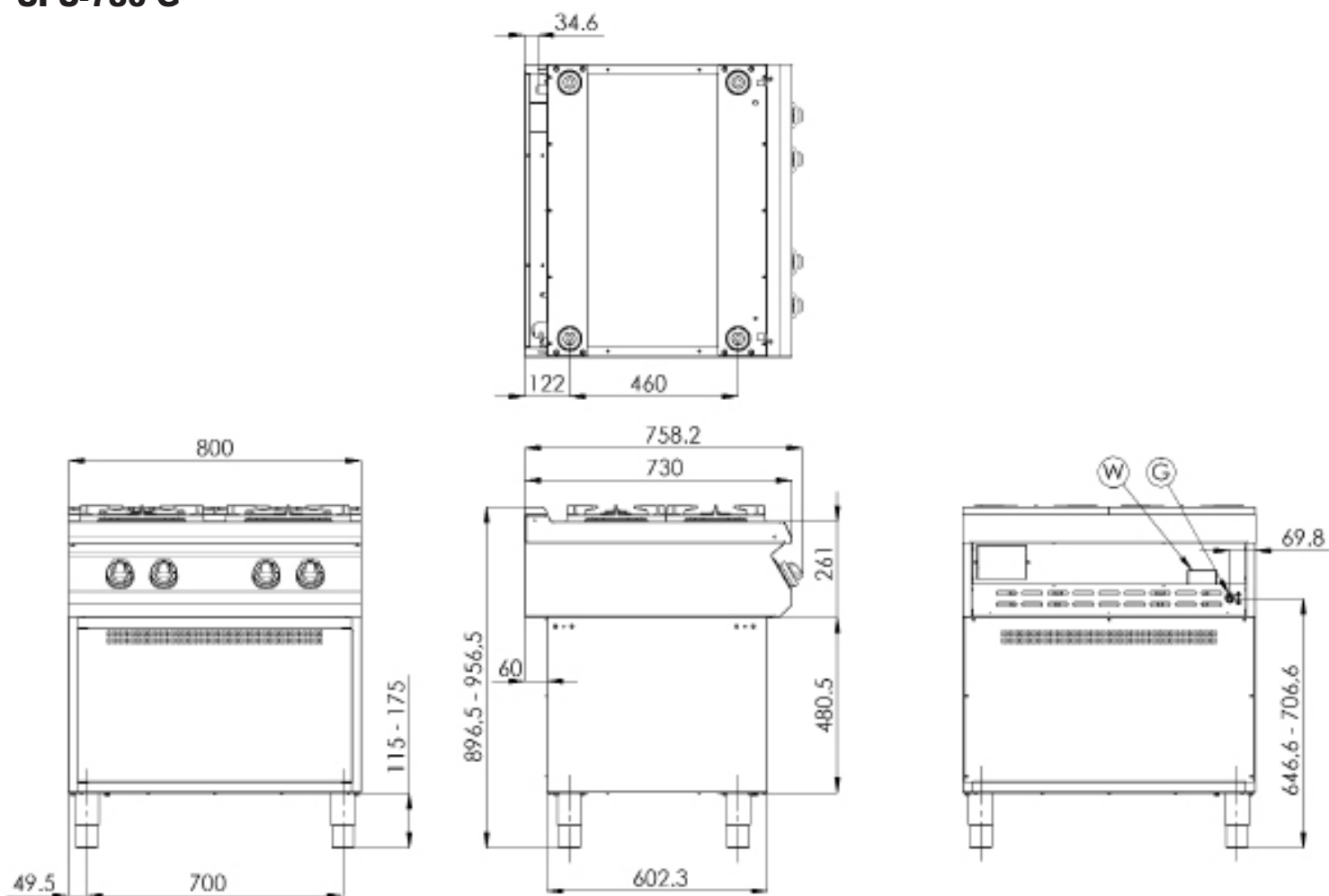
SPS-708 G



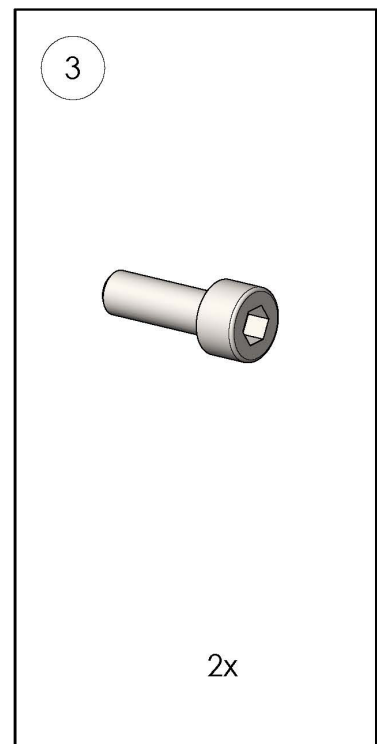
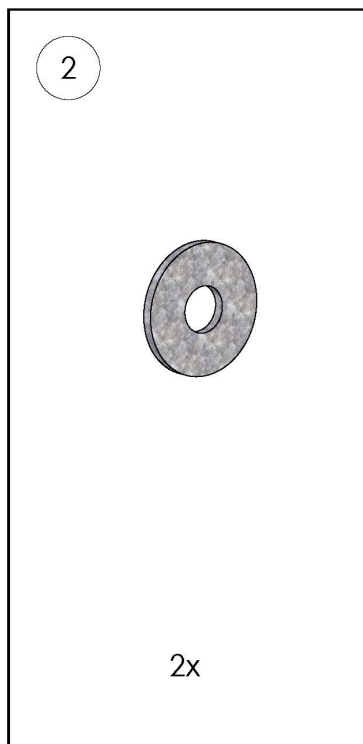
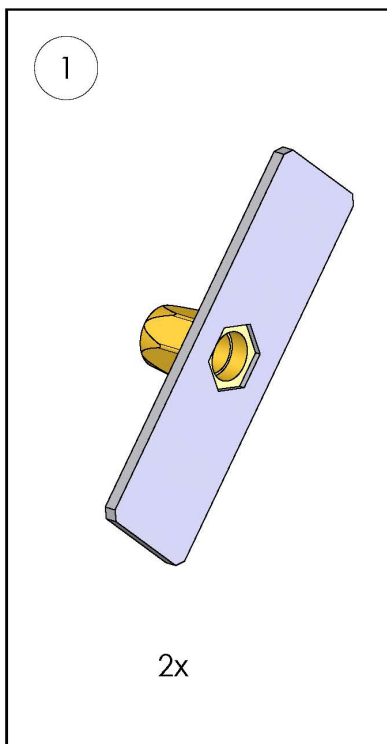
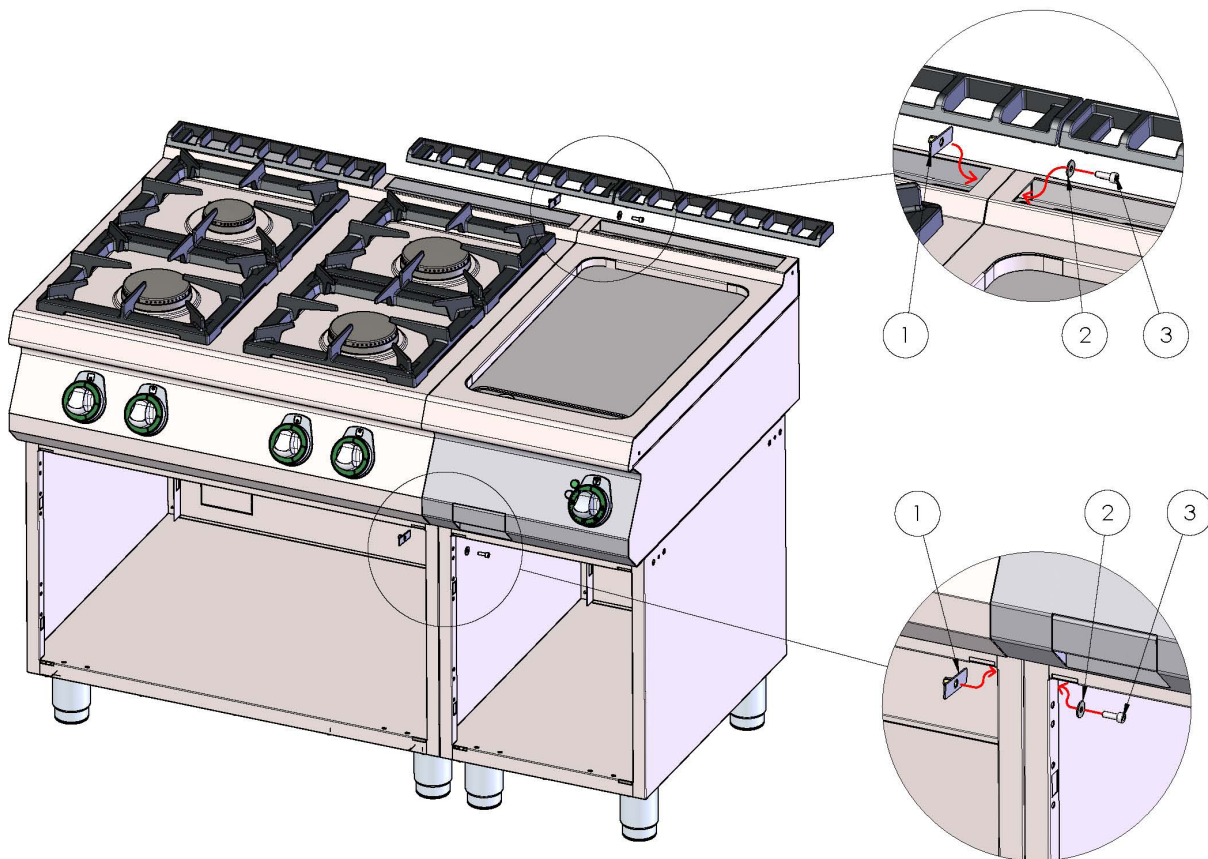
SPS-740 G



SPS-780 G



connection modules/ Anschlussmodule/ les modules de connexion



PROHLÁŠENÍ O SOULADU S NORMAMI

Výrobce prohlašuje, že přístroje jsou v souladu se směrnicí evropského parlamentu a rady 2009/142/ES (nařízením vlády 22/2003), zákonem č. 22/1997 Sb. a č. 258/2000 Sb. o ochraně veřejného zdraví, vyhláškou MZ č. 38/2001 Sb. a příslušnými nařízeními vlády. Instalace musí být uskutečněna s ohledem na platné normy.

Pozor, výrobce se vzdává jakékoli odpovědnosti v případě přímých i nepřímých poškození, které se vztahují ke špatné instalaci, nesprávným zásahem nebo úpravami, nedostatečnou údržbou, nesprávným používáním, a které jsou eventuálně způsobeny jinými příčinami, jež uvádí body uvedené v podmínkách prodeje. Tento spotřebič je určen pouze pro odborné používání a musí být obsluhován kvalifikovanými osobami. Části, které byly po nastavení zajištěny výrobcem nebo pověřeným pracovníkem, nesmí uživatel přestavovat.

TECHNICKÁ DATA

Štítek s technickými údaji je umístěn na boku či zadním panelu přístroje. Před instalací si prostudujte schéma zapojení v příloženém návodu.

Typ výrobku	Typ hořáku	Celkový výkon (kW)	Rozměr zařízení (mm)
SPS - 780 G	(3x 8,5 kW) + (1x 4 kW)	29,5	800 x 756 x 933 v
SPS - 708 G	(3x 8,5 kW) + (1x 4 kW)	29,5	800 x 756 x 313 v
SPS - 740 G	(1x 8,5 kW) + (1x 4kW)	12,5	400 x 756 x 933 v
SPS - 704 G	(1x 8,5 kW) + (1x 4kW)	12,5	400 x 756 x 313 v

TECHNICKÁ DATA HOŘÁKŮ

Data	Druh plynu						
	G30 28-30 mbar	G30 37 mbar	G30 50 mbar	G20 20 mbar	G25 25 mbar	G25 20 mbar	G20 25 mbar
Hořák 8,5 kW							
Tryska (1/100mm)	145	140	130	215	225	245	205
Přívod vzduchu H=mm	otevřen	otevřen	otevřen	3,5	3,5	3,5	3,5
Spotřeba plynu	0,670 kg/h	0,670 kg/h	0,670 kg/h	0,899 m ³ /h	1,046 m ³ /h	1,046 m ³ /h	0,899 m ³ /h
Hořák 4 kW							
Tryska (1/100mm)	95	90	85	150	155	165	140
Přívod vzduchu H=mm	otevřen	otevřen	otevřen	zavřen	zavřen	zavřen	zavřen
Spotřeba plynu	0,355 kg/h	0,355 kg/h	0,355 kg/h	0,476 m ³ /h	0,554 m ³ /h	0,554 m ³ /h	0,476 m ³ /h
Pilotní hořák sporáku							
Tryska (1/100mm)	24	24	24	nastavení	nastavení	nastavení	nastavení

Data	Druh plynu					
	G25.1 25 mbar	G2.350 13 mbar	G27 20 mbar	G31 30-37 mbar	G31 37 mbar	G31 50 mbar
Hořák 8,5 kW						
Tryska (1/100mm)	240	315	250	145	140	130
Přívod vzduchu H=mm	3,5	otevřen	3,5	otevřen	otevřen	otevřen
Spotřeba plynu	1,044 m ³ /h	1,249 m ³ /h	1,097 m ³ /h	0,660 kg/h	0,660 kg/h	0,660 kg/h
Hořák 4 kW						
Tryska (1/100mm)	160	205	170	95	90	85
Přívod vzduchu H=mm	zavřen	zavřen	zavřen	otevřen	otevřen	otevřen
Spotřeba plynu	0,553 m ³ /h	0,661 m ³ /h	0,581 m ³ /h	0,350 kg/h	0,350 kg/h	0,350 kg/h
Pilotní hořák sporáku						
Tryska (1/100mm)	nastavení	nastavení	nastavení	24	24	24

KONTROLA OBALU A ZAŘÍZENÍ

Zařízení opouští naše sklady v řádném obalu, na kterém jsou odpovídající symboly a označení. V obalu se nachází odpovídající návod k obsluze. Jestliže by obal měl vykazovat špatné zacházení, známky poškození, musí se okamžitě reklamovat u přepravce a to sepsáním a podepsáním protokolu o škodě. Na pozdější reklamace nebude brán zřetel.

Důležité upozornění

Tento návod musí být řádně a pozorně přečten, protože obsahuje důležité informace o bezpečnostních prvcích, instalaci a použití.

- Tato doporučení se vztahují na tento výrobek, nebo produktovou linii.
- Tento návod se musí řádně uschovat pro budoucí použití.
- Zabraňte dětem manipulovat s přístrojem.
- Při prodeji nebo přemístění je nutno se přesvědčit, že obsluha nebo odborný servis se seznámil s ovládáním a instalačními pokyny v příloženém návodu.
- Výrobek smí obsluhovat pouze obsluha, která se seznámila s tímto návodem k použití.
- Nesmí být spuštěn bez dozoru.
- Doporučuje se kontrola odborným servisem minimálně 2x ročně.
- Při eventuální opravě nebo výměně dílů musí být použity originální náhradní díly.
- Výrobek se nesmí čistit proudem vody nebo tlakovou sprchou.
- Při poruše nebo špatném chodu výrobku je nutné odpojit veškeré přívody (voda, elektřina, plyn) a zavolat autorizovaný servis.
- Výrobce se vzdává jakékoli zodpovědnosti při poruchách způsobenými chybnou instalací, nedodržením shora uvedených doporučení, jiným užíváním apod.
- Přístroj se smí používat pouze k účelu, ke kterému je určený, jiné použití je zakázané a může vést ke vzniku nebezpečí či úrazu
- Musí být zajištěno nej přísnější dodržování pravidel protipožární ochrany

UMÍSTĚNÍ

Přístroj může být instalován samostatně nebo v sérii s přístroji naší výroby. Je nutno dodržovat minimální vzdálenost 10 cm od hořlavých materiálů. V tomto případě je nutné zabezpečit odpovídající úpravy, aby byla zabezpečena tepelná izolace hořlavých částí.

Spotřebič se musí instalovat pouze na nehořlavém povrchu nebo u nehořlavé stěny.

INSTALACE

⚠ Důležité:

Výrobce neposkytuje žádnou záruku na závady, vzniklé v důsledku nesprávného používání, nedodržování instrukcí obsažených v příloženém návodu k použití a špatným zacházením se spotřebiči.

Instalaci, úpravy a opravy spotřebičů pro velkokuchyně, tak jako i jejich demontáž z důvodu možného poškození přívodu plynu, mohou být prováděny pouze na základě smlouvy o údržbě, tato smlouva může být uzavřena s autorizovaným prodejcem, přičemž musí být dodržovány technické předpisy a normy a předpisy týkající se instalace, elektrického přívodu, plynové přípojky a bezpečnosti práce.

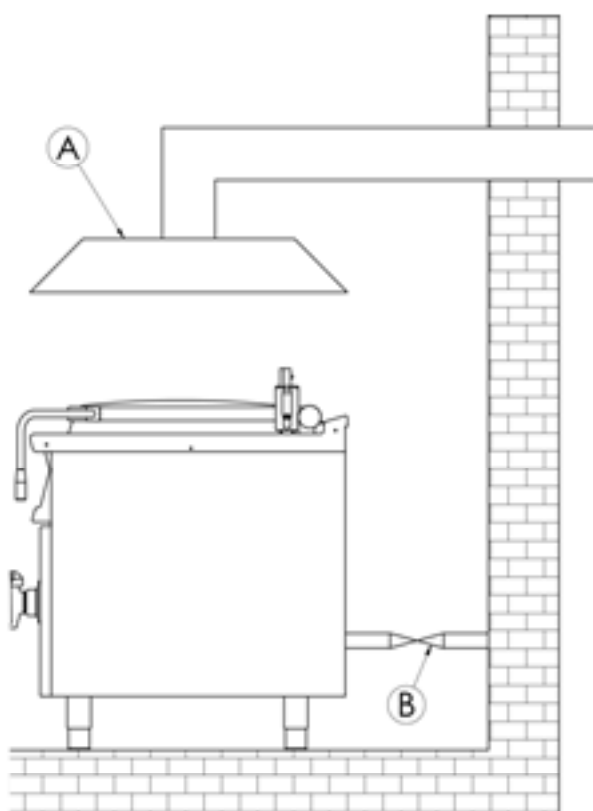
Technické instrukce pro instalaci a seřízení, k použití POUZE pro specializované techniky.

Instrukce, které následují, se obrací k technikovi kvalifi kovanému pro instalaci, aby provedl všechny operace způsobem co nejkorektnějším a podle platných norem.

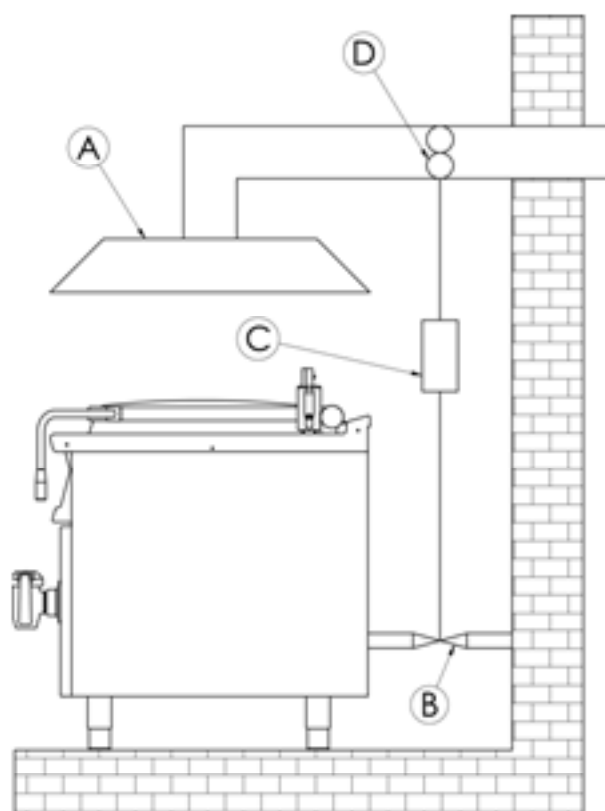
Jakákoli činnost spojená s regulací apod. musí být vykonána pouze se zařízením odpojeným ze

PROVEDENÍ ODTAHU PLYNU

PŘIROZENÝ ODTAH



NUCENÝ ODTAH



Vyústění digestoře je do samostatného komínového tělesa (A). Odtah spalin zabezpečuje přirozený tah komínu.

Vyústění digestoře je bez přirozeného odtahu. Odtah spalin je zabezpečován pomocí ventilátoru (D), (nucený odtah). V tomto případě je nezbytné zabezpečit propojení s přívodem plynu (B) pro vypnutí přívodu plynu při výpadku.

BEZPEČNOSTNÍ OPATŘENÍ Z HLEDISKA POŽÁRNÍ OCHRANY PODLE

ČSN 061008 ČL. 21

- obsluhu spotřebiče smí provádět pouze dospělé osoby
- spotřebič smí být bezpečně používán v souladu s normami:
ČSN 33 2000-4-482: Ochrana proti požáru v prostorách se zvláštním rizikem nebo nebezpečím
ČSN 33 2000-4-42: Ochrana před účinky tepla

- spotřebič je nutné umístit tak, aby stál nebo visel pevně na nehořlavém podkladu

Na spotřebič a do vzdálenosti menší než bezpečná vzdálenost od něho nesmějí být kladeny předměty z hořlavých hmot (nejmenší vzdálenost spotřebiče od hořlavých hmot je 10 cm).

Tabulka: stupeň hořlavosti stavební hmoty zařazené do st. hořlavosti (ČSN 730823) hmot a výrobků

Stupeň hořlavosti	Stavební hmoty
A - nehořlavé	žula, pískovec, betony, cihly, keramické obkladačky, omítky
B - nesnadno hořlavé	akumin, heraklit, lihnos, itaver
C1 - těžce hořlavé	dřevo, listnaté, překližky sirkoklit, tvrzený papír, umakart
C2 - středně hořlavé	dřevotřískové desky, solodur, korkové desky, pryž, podlahoviny
C3 - lehce hořlavé	dřevovláknité desky, polystyrén, polyureten, PVC

• informace o stupni hořlavosti běžných stavebních hmot uvádí tabulka níže. Spotřebiče musí být instalovány bezpečným způsobem. Při instalaci musí být dále respektovány příslušné projektové, bezpečnostní a hygienické předpisy dle:

- ČSN 06 1008 požární bezpečnost lokálních spotřebičů a zdrojů tepla
- ČSN 33 2000-4-482 ochrana proti požáru v prostorách se zvláštním rizikem nebo nebezpečím
- ČSN 33 2000-4-42 ochrana před účinky tepla

TRUBKA PRO PŘIPOJENÍ PLYNU

Plyn musí být připojen trubkou o maximální délce 1,5 metru z pozinkované oceli, mědi nebo ohebnou ocelovou hadicí a to v souladu s platnými normami dané země. Každý přístroj musí mít uzavíratelný kohout u přívodu, aby se dal snadno zastavit přívod plynu. Po instalaci přístroje musíme zkontrolovat případné úniky plynu. Nikdy nekontrolujte úniky otevřeným ohněm, je nutno použít materiály, které nezpůsobují korozi. Použijte např. roztok mýdlové vody. Přístroje prošly důkladnou kontrolou u výrobce, údaje o druhu plynu, tlaku a typu přístroje jsou uvedeny na štítku s charakteristikami. Lahve na LPG musí být vybaveny regulátorem, který odpovídá přetlakům plynu na výrobním štítku zařízení v souladu s platnou legislativou dané země určení.

KONTROLA NASTAVENÍ PŘÍSTROJE NA DRUH PLYNU

Naše spotřebiče jsou certifikovány a regulovány pro zemní plyn (viz. typový štítek). Přestavba nebo přizpůsobení na jiný typ plynu musí být provedena pouze oprávněným technikem. Trysky na různé typy plynu jsou v sáčku, přibaleném ke sporáku a jsou označeny v setinách mm.

Výměna trysek a seřízení pilotního hořáku (viz. obr. níže):

Je třeba postupovat následujícím způsobem: Sejměte rošt, rozprašovač plamene, tělo hořáku a gastronádobu. Odšroubujte trysku klíčem a vyměňte za požadovanou dle typu plynu. Montáž proveďte v opačném pořadí. Dbejte na to, aby jednotlivé dílce na sebe důkladně zapadly. Regulace vzduchu je vždy otevřena dle tabulky „TECHNICKÁ DATA HOŘÁKŮ“.

Pilotní hořák seřídíme tak, že povolíme pojistnou matici klíčem, poté klíčem buď povolíme nebo utáhneme trysku a seřídíme plamen do požadované velikosti.

Důležité:

Poté, co bylo provedeno seřízení spotřebiče na jiný typ plynu, je nutné změnu plynu vyznačit na štítku spotřebiče a provést následující kroky:

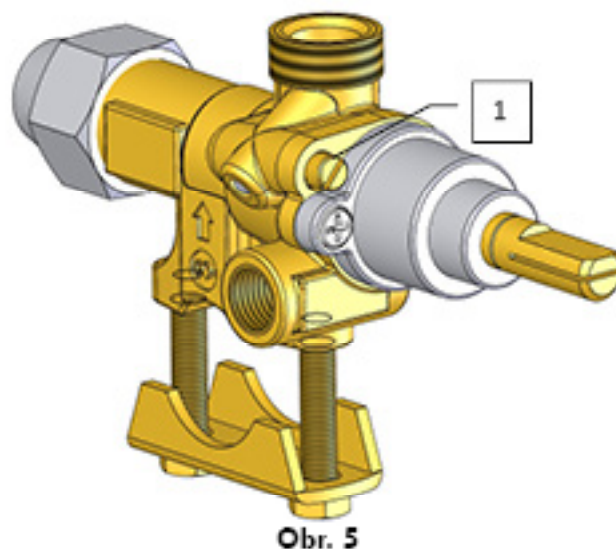
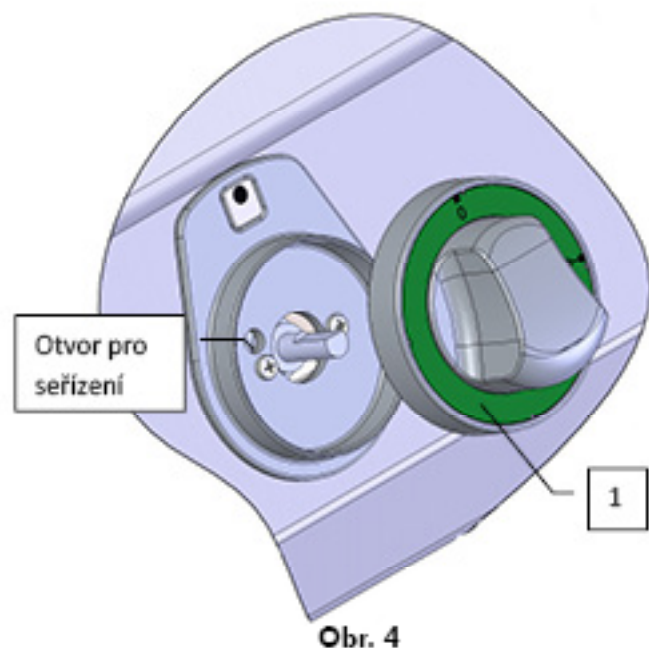
- Zkontrolovat případné úniky plynu
- Zkontrolovat zažehnutí a plamen hlavního hořáku
- Zkontrolovat plamen hlavního hořáku na min. výkon „SPORO“

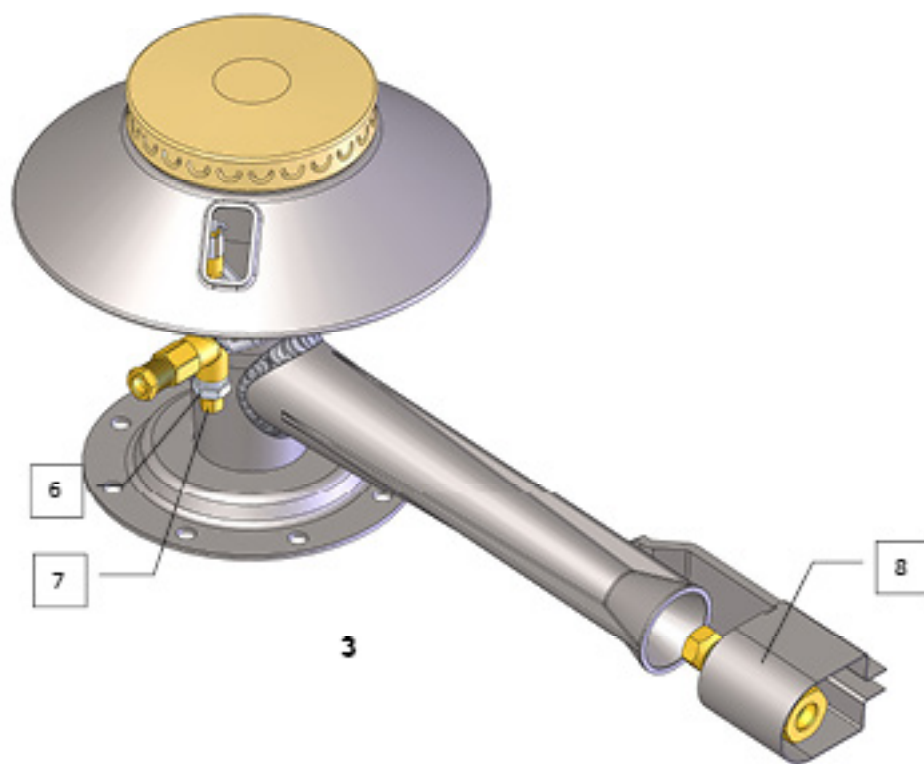
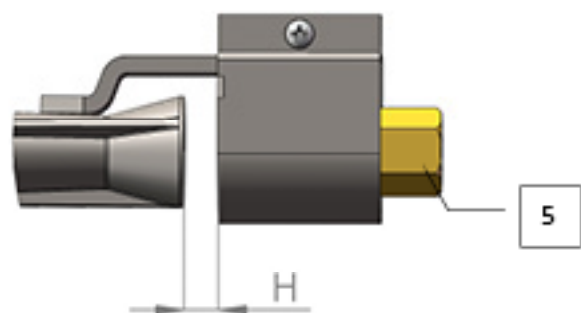
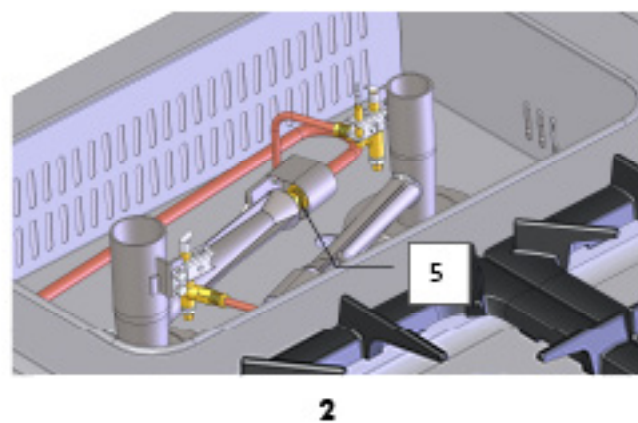
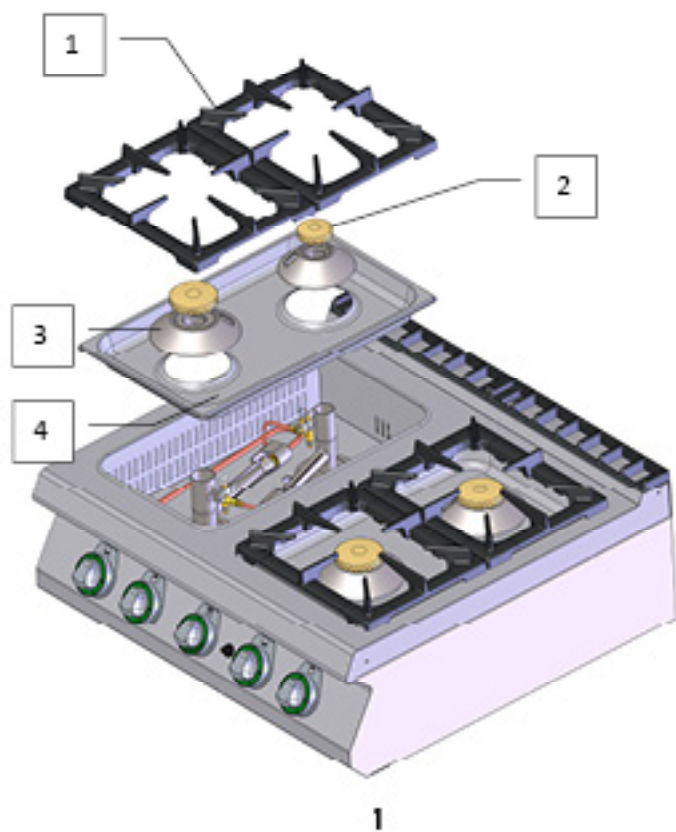
SEŘÍZENÍ PLAMENE PŘI SNÍŽENÉM VÝKONU „SPORO“

Plamen při nastavení kohoutu na snížený výkon „SPORO“ seřídíme šroubkem v těle kohoutu (poz. 1, obr. 5) vedle hřídele kohoutu.

Pro seřízení postupujte takto:

- Sejměte regulační knoflík (poz. 1, obr. 4) tahem k sobě
- Vedle hřídele kohoutu je otvor pro seřízení, pomocí plochého šroubováku seřídte plamen






NÁVOD K POUŽITÍ


Pozor! Než-li začnete přístroj používat, je nutné z celého povrchu sejmout ochranné fólie, a pak jej dobře omýt vodou se saponátem na nádobí, a poté otřít vlhkým hadrem.

Zapálení a regulace hořáku

Po stisknutí a otočení regulačního knoflíku příslušného hořáku do polohy 1 , zapalte pilotní hořák. Po zapálení pilotního hořáku držte ještě knoflík stisknutý po dobu cca. 30 vteřin, aby se ohřála termopojistka. Pokud plamen zhasne, celý postup opakujte.

Pro zapálení hořáku na plný výkon otočte knoflíkem do polohy 2. 

Úsporný režim „SPORO“, nastavíme tak, že lehce zmáčkneme knoflík a otočíme do polohy 3. 

Do pohotovostního režimu se přepneme otáčením kohoutu vpravo do polohy 1. 

Pokud chceme hořák vypnout, lehce zmáčkneme knoflík a otočíme do polohy „0“. 

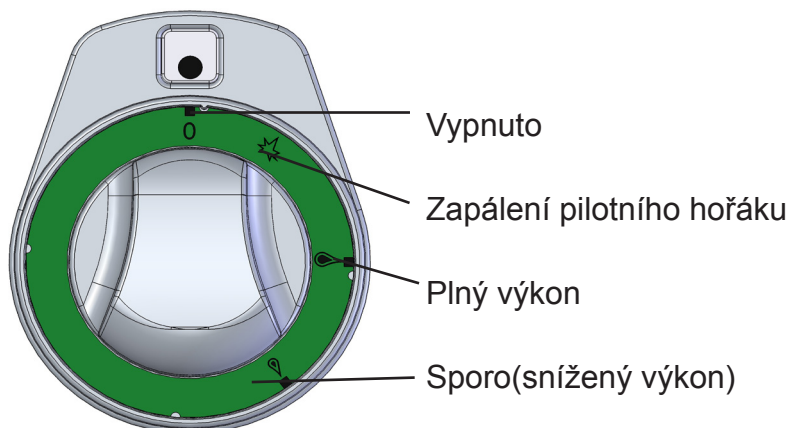
Návod na odtah spalin plynu

Přístroje typu A (viz štítek s charakteristikami) Spotřebič provedení A (t.j. spotřebič, který není určen ke spojení s kouřovodem, nebo jiným zařízením pro odvádění spalin mimo prostor, v němž je umístěn) musí být instalován v prostorech s dostatečným větráním, které je provedené dle ČSN 12 7010:1986 a ČSN 12 7040:1986 tak, aby se v těchto prostorech zabránilo hromadění zdraví škodlivých látek v nepřipustné koncentraci (zabezpečení požadavku hygienického předpisu na pracovní prostředí sv.39/78 směrnice 46.

POPIS OVLÁDÁNÍ



① Regulační knoflík



ČIŠTĚNÍ A ÚDRŽBA

POZOR! Zařízení se nesmí čistit přímou nebo tlakovou vodou. Čistěte zařízení denně. Denní údržba prodlužuje životnost a účinnost zařízení. Sejměte nerezový rošt, který můžete mýt v myčce nádobí nebo ve dřezu. Nerezové části čistěte vlhkým hadrem se saponátem bez hrubých částec, poté vše otřete vlhkým hadrem a vytřete do sucha.

RADY PRO ČIŠTĚNÍ URČITÝCH ČÁSTÍ

Hořáky:

Sundejte vrchní díl hořáku a rozdělovač plamene, dejte je odmočit do teplé vody a pečlivě je omýjte, dávejte pozor, aby se dovnitř hořáku nedostala nečistota nebo voda, protože by se mohla zacpat tryska.

Pozor! Než-li začnete přístroj používat, je nutné z celého povrchu sejmut ochranné fólie, a pak jej dobře omýt vodou se saponátem na nádobí, a poté otřít vlhkým hadrem.

Jak postupovat v případě poruchy?

Vypněte elektrický a plynový přívod a zavolejte servisní organizaci prodejce.

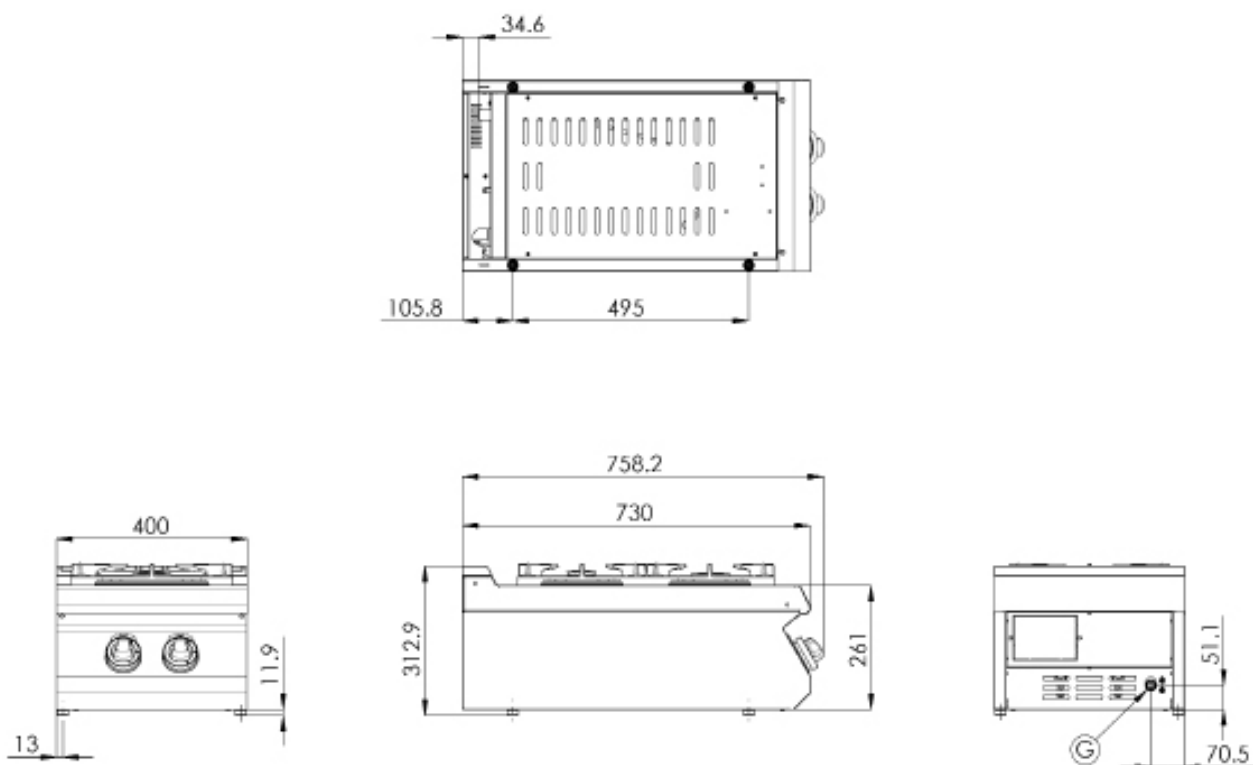
UPOZORNĚNÍ

Záruka se navztahuje na všechny spotřební díly podléhající běžnému opotřebení (gumová těsnění, žárovky, skleněné a plastové díly atd.). Záruka se též nevztahuje na zařízení pokud není provedena instalace v souladu s návodem – oprávněným pracovníkem dle odpovídajících norem a pokud bylo se zařízením neodborně manipulováno (zásahy do vnitřního zařízení atd.) nebo bylo obsluhováno nezaškoleným personálem a v rozporu s návodem k použití, dále se záruka nevztahuje na poškození přírodními vlivy či jiným vnějším zásahem.

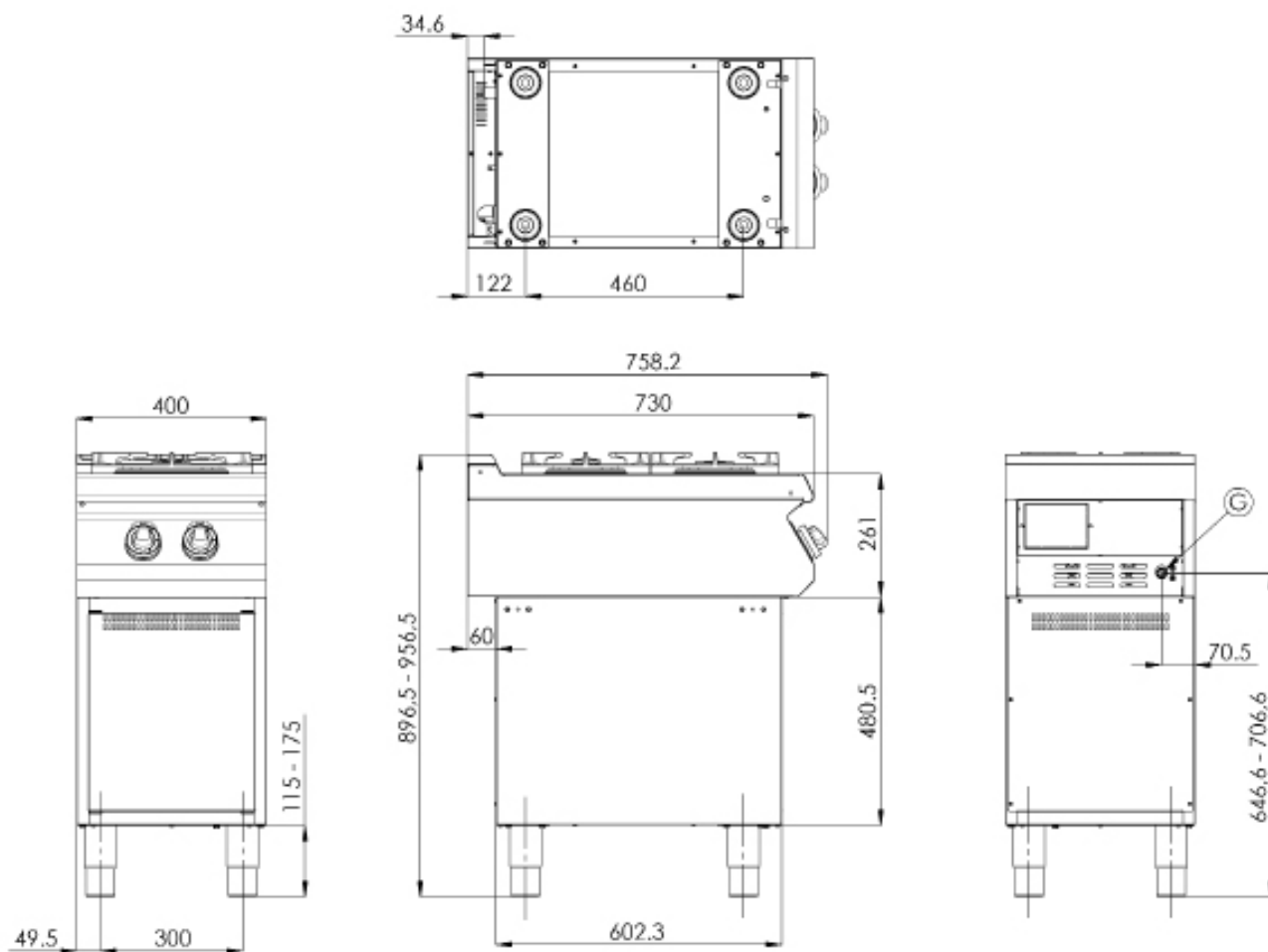
Přepravní obaly a zařízení po ukončení životnosti odevzdejte do sběru, dle předpisů o nakládání s odpadem a nebezpečným odpadem.

ROZMĚROVÉ OBRÁZKY

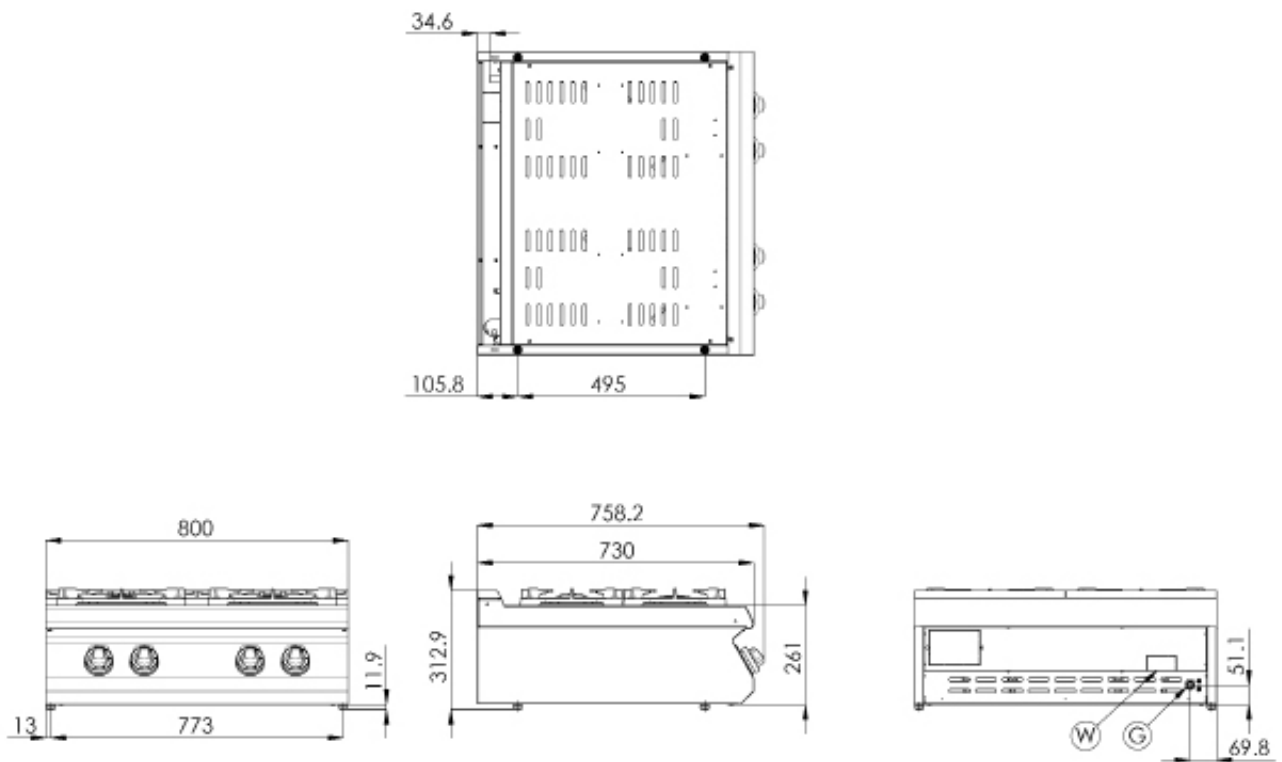
SPS-704 G



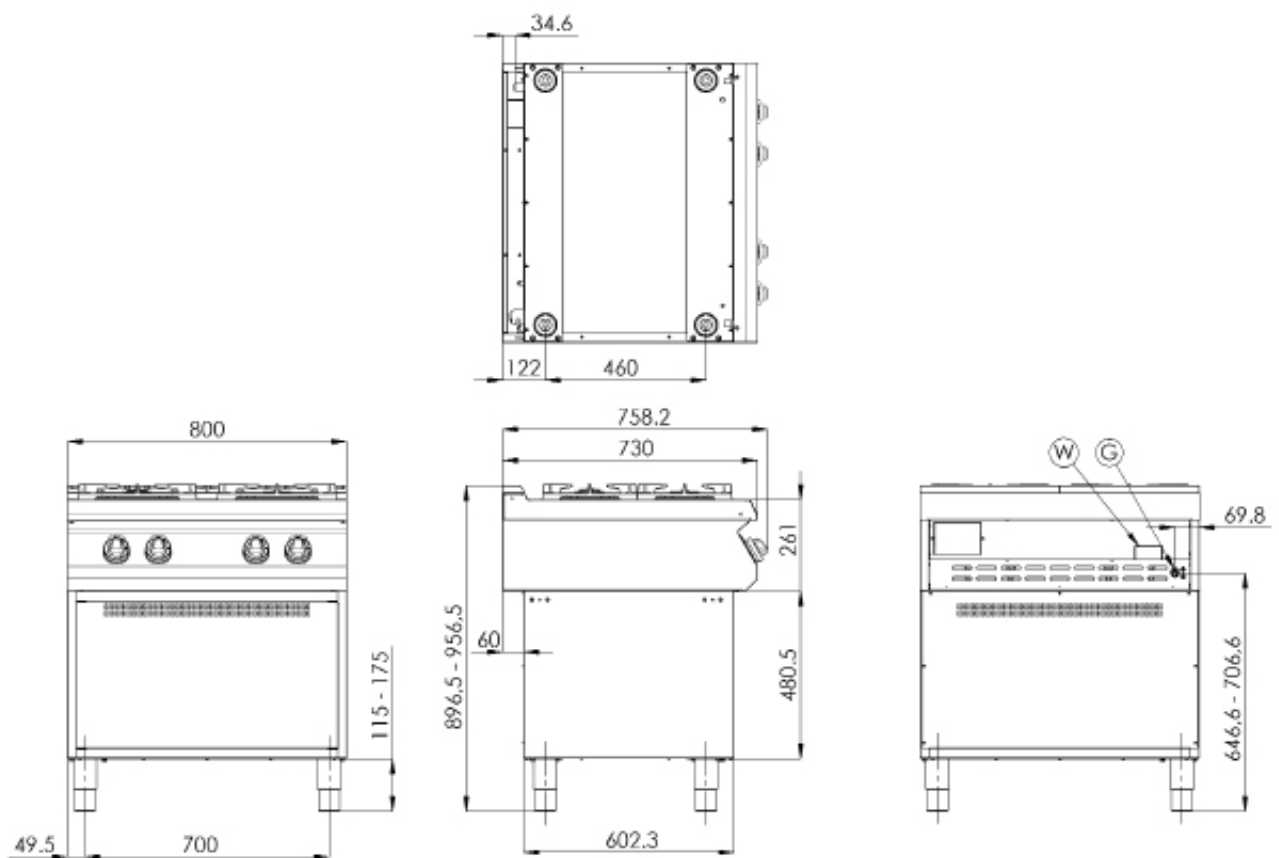
SPS-740 G



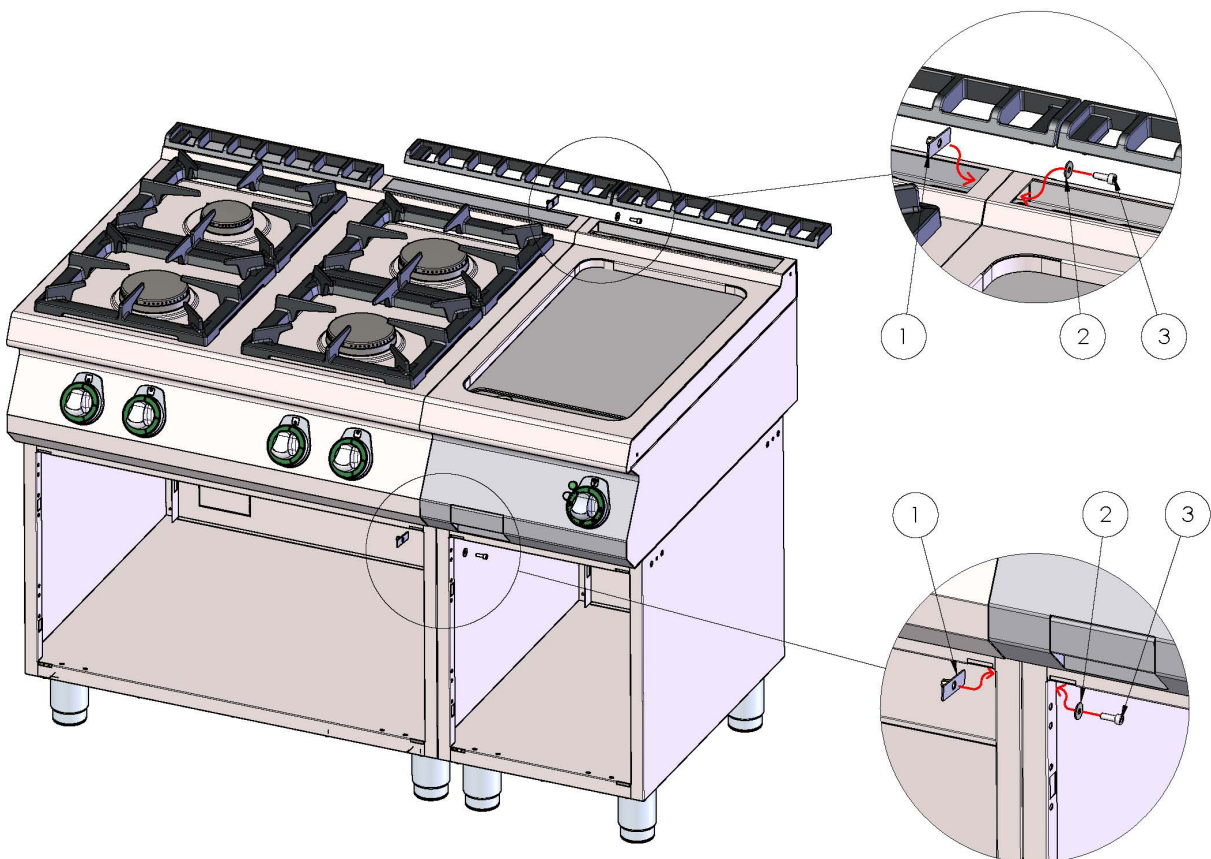
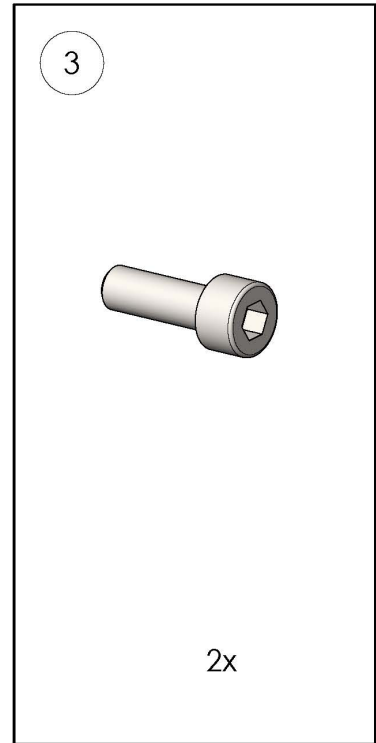
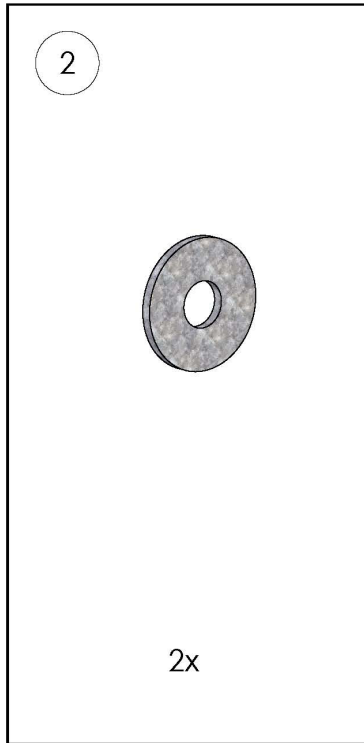
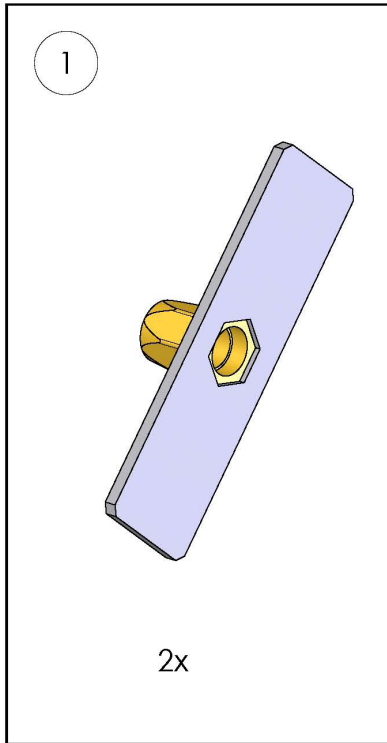
SPS-708 G



SPS-780 G



SPOJENÍ MODULŮ



IZJAVA O SAGLASNOSTI SA NORMAMA

Proizvodjač proglašava da uređaji ispunjavaju norme evropskog parlamenta i savjeta 2009/142/ES. Instalacija mora biti provedena prema važećim normama.

Pozor, proizvođač ne snosi odgovornost u slučaju direktnog i/ili indirektnog oštećenja, a koje može biti uzrokovano neodgovornom ili neprofesionalnom instalacijom, neispravnom opravom i/ili korištenjem, nedovoljnim održavanjem i čišćenjem, te ostalim faktorima koji su uvedeni u uputstvu, odnosno uslovima prodaje. Ovaj uređaj je namijenjen samo k profesionalnom korišćenju i upotrebi, tako da mora biti servisiran samo kvalifikovanim osobljem. Dijelovi koji su bili instalirani od strane proizvođača ili njim povjerene osobe, ne smije korisnik mijenjati, niti opravljati.

TEHNIČKI PODACI

Naljepnica sa tehničkim podacima se nalazi sa zadnje ili bočne strane aparata. Prije nego što aparat počnete koristiti prostudirajte shemu elektr. instalacije i ostale odgovarajuće informacije.

MODEL	GORIONIKA (KW)	SANGA (KW)	RAZM. UREDJAJA (MM)
SPS - 780 G	(3x 8,5 kW) + (1x 4 kW)	29,5	800 x 756 x 933 v
SPS - 708 G	(3x 8,5 kW) + (1x 4 kW)	29,5	800 x 756 x 313 v
SPS - 740 G	(1x 8,5 kW) + (1x 4kW)	12,5	400 x 756 x 933 v
SPS - 704 G	(1x 8,5 kW) + (1x 4kW)	12,5	400 x 756 x 313 v
SPS-7012 G	(4x8,5 kW) + (2x4kW)	42	1200 x 756 x 313
SPS-7012A G	(4x8,5kW) + (2x4kW)	42	1200 x 756 x 313
SPS-7012B G	(5x8,5kW) + (1x4kW)	46,5	1200 x 756 x 313
SPS-7120 G	(4x8,5kW) + (2x4kW)	42	1200 x 756 x 933
SPS-7120A G	(4x8,5kW) + (2x4kW)	42	1200 x 756 x 933
SPS-7120B G	(5x8,5kW) + (1x4kW)	46,5	1200 x 756 x 933

Podaci	Vrsta plina						
	G30 28-30 mbar	G30 37 mbar	G30 50 mbar	G20 20 mbar	G25 25 mbar	G25 20 mbar	G20 25 mbar
Gorionik 8,5 kW							
MLAZNICA GORIONIKA 1/100 MM	145	140	130	215	225	245	205
KONTROLA ZRAKA (MM)	open	open	open	3,5	3,5	3,5	3,5
POTROŠNJA	0,670 kg/h	0,670 kg/h	0,670 kg/h	0,899 m ³ /h	1,046 m ³ /h	1,046 m ³ /h	0,899 m ³ /h
Gorionik 4 kW							
MLAZNICA GORIONIKA 1/100 MM	95	90	85	150	155	165	140
KONTROLA ZRAKA (MM)	open	open	open	closed	closed	closed	closed
POTROŠNJA	0,355 kg/h	0,355 kg/h	0,355 kg/h	0,476 m ³ /h	0,554 m ³ /h	0,554 m ³ /h	0,476 m ³ /h
Pilot Gorionik							
MLAZNICA GORIONIKA 1/100 MM	24	24	24	adjusted	adjusted	adjusted	adjusted

Podaci	Vrsta plina					
	G25.1 25 mbar	G2.350 13 mbar	G27 20 mbar	G31 30-37 mbar	G31 37 mbar	G31 50 mbar
Gorionik 8,5 kW						
MLAZNICA GORIONIKA 1/100 MM	240	315	250	145	140	130
KONTROLA ZRAKA (MM)	3,5	open	3,5	open	open	open
POTROŠNJA	1,044 m ³ /h	1,249 m ³ /h	1,097 m ³ /h	0,660 kg/h	0,660 kg/h	0,660 kg/h
Gorionik 4 kW						
MLAZNICA GORIONIKA 1/100 MM	160	205	170	95	90	85
KONTROLA ZRAKA (MM)	closed	closed	closed	open	open	open
POTROŠNJA	0,553 m ³ /h	0,661 m ³ /h	0,581 m ³ /h	0,350 kg/h	0,350 kg/h	0,350 kg/h
Pilot Gorionik						
MLAZNICA GORIONIKA 1/100 MM	adjusted	adjusted	adjusted	24	24	24

KONTROLA PAKOVANJA I APARATA

Uredjaj napušta naše skladište uredno zapakovan, na pakovanju se nalaze simboli i opis tipa aparata. U pakovanju ćete naći uputstvo za upotrebu. Ukoliko bi se na pakovanju vidjelo da je s njim bilo loše manipulirano, da je pakovanje oštećeno, morate to odmah riješiti sa prijevoznikom, a to tako što ćete s njim napisati i obostrano potpisati protokol o šteti. Kasnije reklamacije nećemo uzimati u obzir.



Važno upozorenje

Ovo uputstvo mora biti pažljivo pročitano, budući da sadrži bitne informacije o sigurnosti, instalaciji i korištenju.

- Ove preporuke se odnose na ovaj proizvod ili liniju proizvoda.
- Ovo uputstvo se treba sačuvati i za buduće korištenje.
- Zabranite djeci da koriste uređaj.
- Prilikom preprodaje ili izmjene pozicije uređaja, neophodno je upoznati servis i osoblje sa priloženim uputstvom za upotrebu i instalaciju.
- Uređaj smije koristiti samo posluša koja je upoznata sa uputstvom.
- Nesmijete ostavljati uređaj bez nadzora.
- Preporučuje se kontrola autorizovanim servisom minimalno 2x godišnje.
- U slučaju oprave ili izmjene rezervnog dijela, koristite samo originalne dijelove.
- Uređaj se ne smije čistiti vodom pod pritiskom (tuš ili crijevo sa vodom).
- U slučaju kvara, isključite aparat iz struje, prekinite dovod vode i/ili plina, a potom se obratite na autorizovani servis.
- Proizodjač ne snosi odgovornost u slučaju pogrešne instalacije, nedodržavanjem gore navedenih preporuka, odnosno neodgovornim korištenjem i sl.
- Uređaj smije biti korišten samo k tomu čemu je namijenjen, drugi način korištenja može uzrokovati oštećenje aparata ili, čak, tjelesne povrede.
- Moramo najstrožije dodržavati pravila protivpožarne zaštite.

POZICIJA

Za ispravan rad i položaj aparata neophodno je dodržavati smjernice i norme propisane u uputstvu.

Raspakujte uređaj i prekontrolirajte da se nije slučajno oštetio tijekom transporta. Smjestite uređaj na vodoravnu podlogu (maksimalna neravnina do 2°). Male neravnine možemo regulisati nožicama.

Ako je aparat smješten tako da će biti u neposrednoj blizini namještaja, taj mora biti otporan na toplotu od 60°C. Instalaciju, podešavanje i početak korištenja mora biti proveden kvalifikovanim osobom, koja je k tomu povjerena od strane autorizovanog servisa.

Uređaj može biti instaliran samostalno ili u seriji sa ostalim našim proizvodima. Obavezno dodržavajte minimalnu udaljenost 10 cm od lako zapaljivih predmeta. U takvom slučaju, moraju biti provedene određene izmjene kako bi izolirale zapaljive materijale.

Uređaj smije biti instaliran samo na nezapaljivoj površini i pored vatrostalnog zida.

INSTALACIJE

Važno:

Proizvođač ne daje nikakvu garanciju na greške uzrokovane neispravnim korištenjem, nepridržavanjem danih instrukcija ili neodgovornim korištenjem proizvoda.

Instalaciju, izmjene i oprave, a jednako tako i demontažu, ukoliko je aparat oštećen, može provesti samo odgovorna osoba, a to povjerena autorizovanim servisom. I to na osnovu ugovora o prodaji i održavanju koji može biti sklopljen samo sa oficijalnim predstavnikom proizvođača, a mora sadržavati sve tehničke propise i norme koje se tiču instalacije, dovoda struje i plina, te bezbjednosti rada.

Tehničke instrukcije za instalaciju i podešavanje služe samo SPECIJALIZIRANIM serviserima.

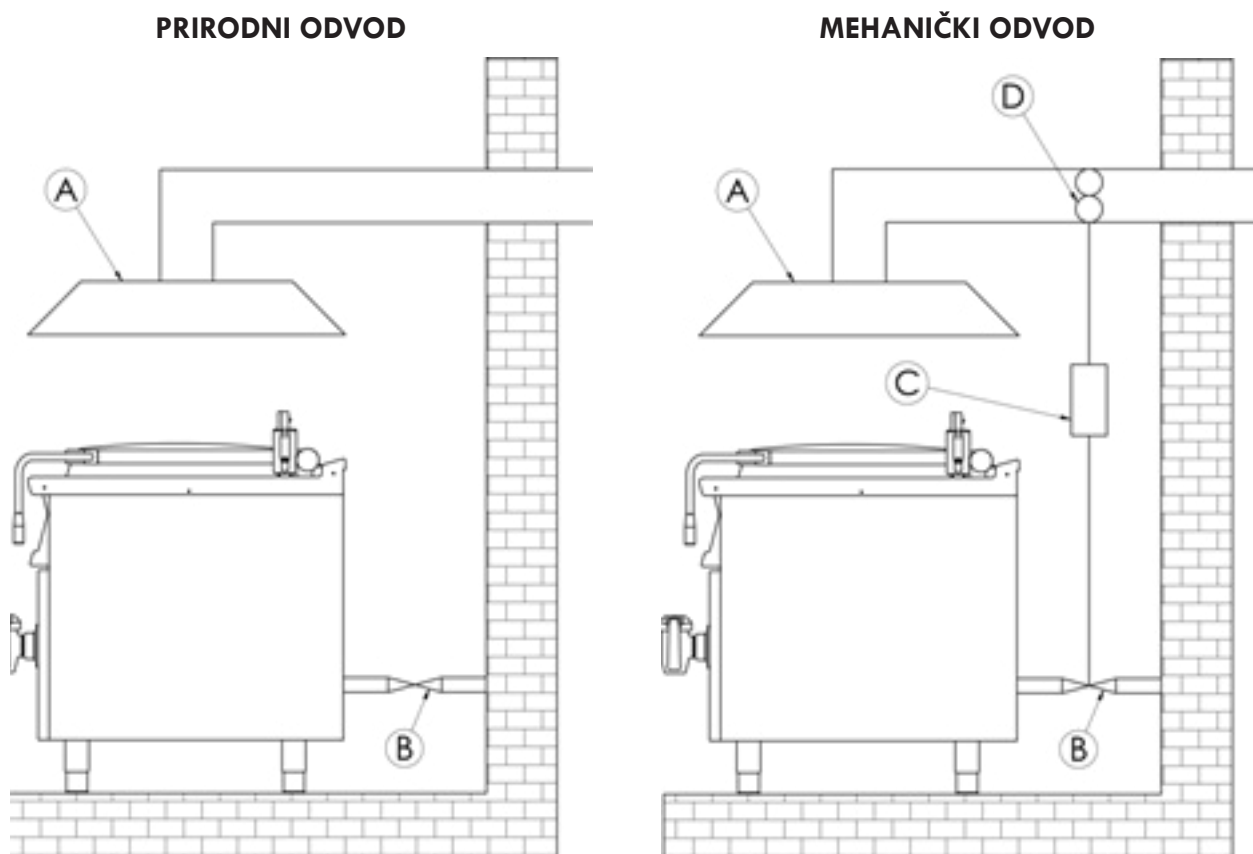
Instrukcije, koje slijede tiču se tehničara kvalifikovanih za instalaciju uređaja, a da bi to učinili na što korektniji i odgovorniji način, a to prema zadanim normama.

Bilo koja djelatnost vezana za regulaciju i sl., mora biti provedena samo kada je aparat isključen i prekinut dovod plina i/ili vode. Dok aparat ne isključite i odvojite, budite maksimalno oprezni i pažljivi prilikom rukovanja.

Kakav trebate koristiti odvod dima, možete vidjeti na naljepnici sa deklaracijom tipa aparata, radi se o aparatima tipa A1.

PROVEDBA ODVODA PLINA

Uredjaje tipa A (pogledaj naljepnicu sa karakteristikama) moramo instalirati u prostoru koji je dovoljno odvetran, a to u tom smislu, da u njemu nije moguća veća koncentracija štetnih plinova ili dima. Tim se podrazumijeva da sam aparat nema svoj dimnjak i nije spojen sa drugim aparatom koji bi već imao svoj odvod dima.



Odvod digestora je u samom tijelu dimnjaka (A). Odvod dima, osigurava prirodno odvetranje dimnjaka.

Odvod digestora nema prirodno odvetranje. To obezbijedjuje ventilator (D), (mehanički odvod). U tom slučaju, obavezno je spojiti dovod plina (B) sa odvodem dima, ukoliko bi došlo do nestanka elektr. energije.

BEZBJEDNOSNE MJERE PROTIVPOŽARNE ZAŠTITE

- Koristiti uređaj smiju samo odrasle osobe.
- Uređaj smije biti korišten samo u tome namijenjenom prostoru.
- Uređaj postavite tako da stoji na vatrostalnoj podlozi.

Na uređaj i u njegovoj blizini ne smiju biti postavljeni lako zapaljivi predmeti (najmanja dozvoljena udaljenost između aparata i zapaljivih materijala je 10 cm).

• Informacije o stupnju zapaljivosti uobičajenih građevinskih materijala možete vidjeti na tabeli. Uređaj mora biti instaliran na bezbjednom mjestu. Prilikom instalacije moraju biti respektovani priloženi projektni materijali, sigurnosni i higijenski propisi.

Stupanj zapaljivosti	Gradjevinski materijal
A - nezapaljive	granit, pijesak, beton, cigle, keramičke pločice, žbuka
B - teško zapaljive	akumin, heraklit, lihnos, itaver
C1 - veoma zapaljive	drvo, sirkoklit, tvrdi papir, sadrokarton
C2 - srednje zapaljive	iverica, solodur, pluto, guma, linoleum
C3 - lehce hořlavé	dřevovláknité desky, polystyrén, polyureten, PVC

Uređaji moraju biti instalirani na bezbjedan način. Prilikom instalacije uređaja moraju biti

PRIKLJUČIVANJE EL. KABLA U STRUJU

Instalacija dovoda struje - taj dovod mora imati svoj poseban osigurač. A to odgovarajući prema snazi i naponu instalovanog aparata. Ove podatke ćete naći na naljepnici sa zadnje ili bočne strane aparata.

Uzemljenje može biti duže od ostalih spojnica. Uređaj pripojite direktno na struju, a neophodno je da instalirate između uređajem i strujom prekidač, i to na udaljenosti 3mm između samostalnim kontaktima, tako da bi odgovarao važećim normama i opterećenju. Uzemljenje (žuto-zeleno) ne smije biti tim prekidačem prekinuto. Aparat je predviđen da se uključi u utičnicu, ukoliko ima odgovarajući osigurač.

U svakom slučaju, dovod mora biti postavljen tako da kabel niti na jednom mjestu ne može imati toplotu višu za 50 stupnjeva od sredine u kojoj se nalazi. Prije nego što kabel spojite, uvjerite se da:

- osigurač i razvodi mogu podnijeti opterećenje samog aparata (pogledaj naljepnicu)
- razvodi imaju odgovarajuće uzemljenje a to prema normama i uslovima određenim zakonom
- utičnica ili prekidač su lako pristupni.

Ne preuzimamo bilo kakvu odgovornost u slučaju da se nisu dane instrukcije respektovale ili ako se nije postupalo prema danim uputama.

Prije prve upotrebe pročitajte poglavlje „čišćenje i održavanje“. Uređaj mora biti uzemljen pomoću već označenih šarafa.

SPAJANJE PRIVODA PLINA DO APARATA

Kod spajanje uređaja sa plinom trebamo koristiti čeličnu ili bakarnu cijev, a to prema zakonima dane države. Ta mora biti redovno kontrolisana i izmijenjana ukoliko je to potrebno. Svaki uređaj mora imati odgovarajući zatvarač i havarijni zatvarač. Havarijni zatvarač mora biti lako dostupan i na dohvata aparata. Kada završimo instalaciju, moramo prekontrolisati propusnost plina. Da bi to učinili, možemo koristiti rastvor vodu i sapuna koji će nam otkriti eventualno „curenje“ plina.

Ne koristite materijale koji mogu uzrokovati koroziju! Svi naši uređaji su pažljivo prekontrolisani. Tip plina, tlak i označene kategorije se nalaze na naljepnici proizvoda.

Spoj na kapalni plin:

Tlak za spajanje kapalnog plina mora biti 28 ili 30 mbar za propan/butan i 37 mbar za propan. Ali, u svakom slučaju, prekontrolišite naljepnicu, izmjerite pritisak i prekontrolišite parametre instalirane mlaznice, uporedite je sa parametrima koji su propisani proizvođačem. Ukoliko je pritisak niži od 25 mbar ili viši od 37 mbar **NE SMIJE BITI UREDJAJ PRIKLJUČEN NA PLIN!!!**

Spoj na zemni plin:

Tlak za spoj na metan mora biti 18 ili 20 mbar. Obavezno prekontrolišite naljepnicu, izmjerite pritisak i prekontrolišite parametre mlaznice, uporedite ih sa onim koji su propisani proizvođačem. Ukoliko je pritisak niži od 15 mbar ili viši od 22,5 mbar **NE SMIJE BITI UREDJAJ PRIKLJUČEN NA PLIN!!!**

KONTROLA PODEŠAVANJA APARATA NA ODREĐENI TIP PLINA

Prije svega prekontrolišite da li je uređaj uopšte predviđen za taj tip plina koji koristite. Na naljepnici svakog aparata možemo naći za koji tip plina je predviđen.

UPUTE ZA IZMJENU TIPA PLINA

Uređaji su podešeni i kontrolisani na zemnom plinu (vidi naljepnicu aparata). Izmjena na drugi tip plina mora biti provedena kvalifikovanom osobom, mlaznice predviđene za drugi tip plina se nalaze u paketu sa uputstvom.

IZMJENA MLAZNICE GLAVNOG GORIONIKA (sl. 3 i 4)

Tijekom izmjene mlaznice glavnog plamenika treba postupati na slijedeći način: 1) uklonite kontrolne tipke sa prednje ploče 2) demontirajte prednju ploču 3) radi lakšeg pristupa također preporučamo demontažu zadnje ploče (ukoliko je to moguće) 4) Prema slici 2 izvadimo mlaznicu sa glavnog plamenika te zamjenimo mlaznicama prema tablici „**TEHNIČKI PODACI**“ 5) Namjestimo dovod zraka za pripadajući plin prema tablici „**TEHNIČKI PODACI**“.

Plamenik pilot podesimo tako da ključem popustimo sigurnosnu maticu, nakon toga uklonimo mlaznicu plamenika pilot (sl.3, pr.1) s oprugom (sl.3, pr.2,3) te zamjenimo mlaznicom za pripadajući plin prema tablici. Poklopac mlaznice stegnemo pomoću ključa te podesimo režim „ekonomično“, vidi tekst dolje.

Važno:

Prilikom izmjene tipa plina, izmijenite taj podatak na naljepnici aparata. Kontrola rada aparata:

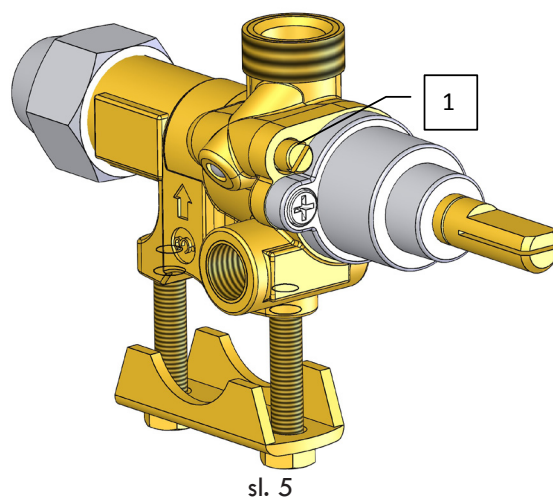
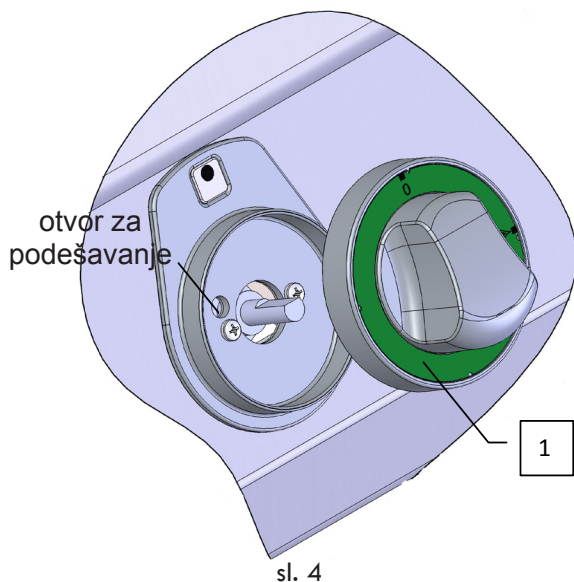
- prekontrolišite da li negdje ne dolazi do ispuštanja plina
- prekontrolišite paljenje i gorenje glavnog gorionika
- prekontrolišite plamen gorionika na min. snazi (štednja)
- isprobajte da li plamen dodiruje termočlanak i da li je plav
- korisniku se preporučuje da prilikom korištenja aparata postupa prema uputama.

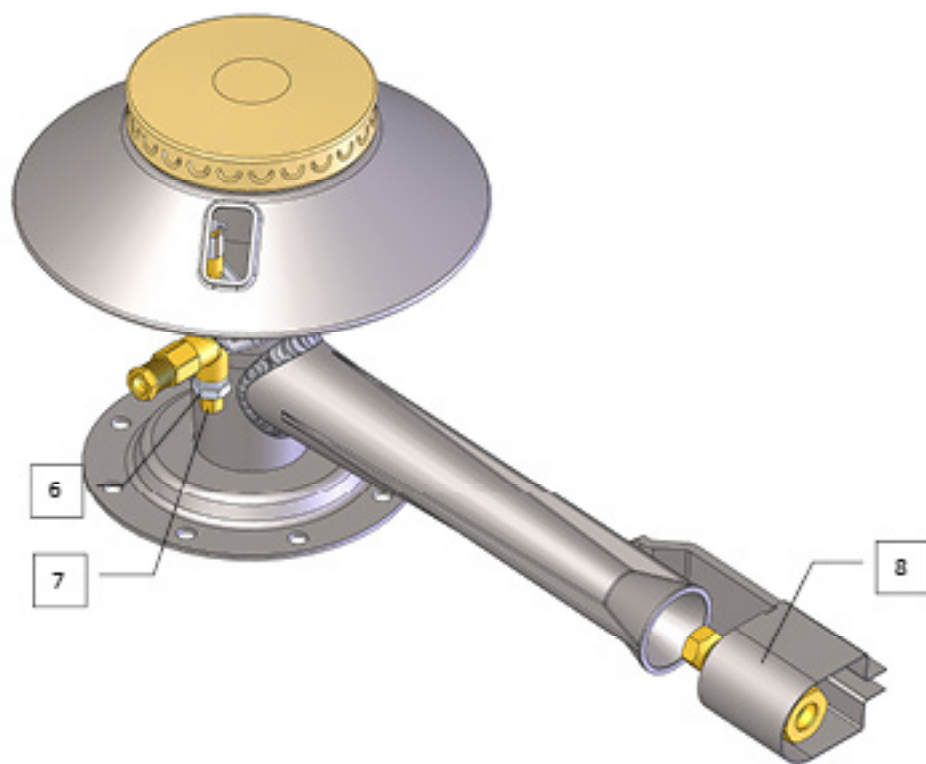
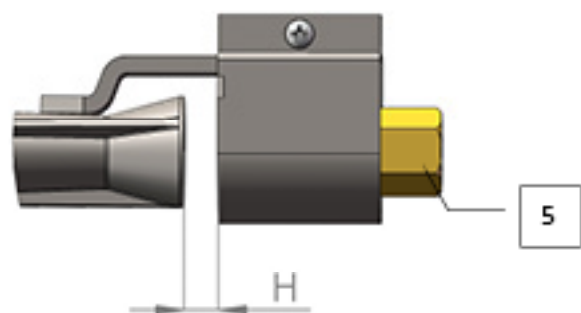
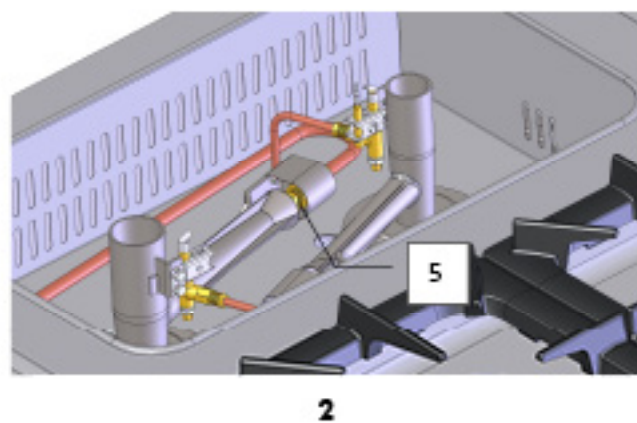
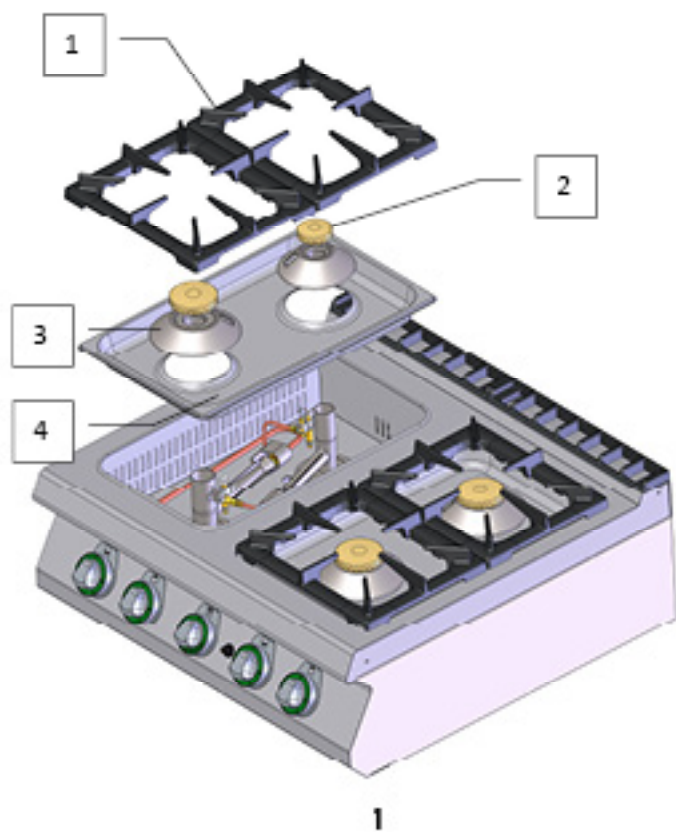
PODEŠAVANJE PLAMENA NA SMANJENOJ SNAZI (ŠTEDNJA)

Plamen, kada je podešen na minimalnu jačinu, se podešava šarafom smještenim u tijelu slavine pored grla.

Prilikom podešavanja, uradite sljedeće:

- skinite regulacijsko dugme (povućete ga k sebi)
- pored grla je otvor za podešavanje
- pomoću malog ravnog šarafcigera podesite plamen





UPUTSTVO ZA UPOTREBU

Pozor! Prije nego što počnete uređaj koristiti skinite zaštitne folije, a potom ga operite vodom i deterdžentom, te obišite vlažnom krpom.

Paljenje i regulacija gorionika (sl. 1, 2)

Dajte reg. dugme odgovarajućeg gorionika (A) u položaj „zapalite gorionik“, potom ga pritisnite i pridržite. Kada ga zapalite, pridržite dugme (A) još nekoliko sekundi, dok se ne zagrije termoosigurač, potom dugme pustite. Ukoliko se plamen ugasi, cijeli proces ponovite.

Snižena jačina, štednja (sl. 2)

Okrenite dugme (1) u položaj „štednja“, time ćete smanjiti jačinu i potrošnju plina.

Isključivanje gorionika (sl. 2)

Samo okrenite dugme (1) u položaj “0“

Upute na odvod dima i plinskih isparavanja

Uređaj tipa A (viz naljepnicu sa karakteristikama; t.j. uređaj koji nije predviđen za spajanje sa dimnjakom, niti drugim uređajem koji ima dimnjak) mora biti postavljen u prostoru koji ima dovoljno dobro odvjetravanje tako da ne bi dolazilo do prevelike koncentracije plinskih isparavanja, odnosno dima.

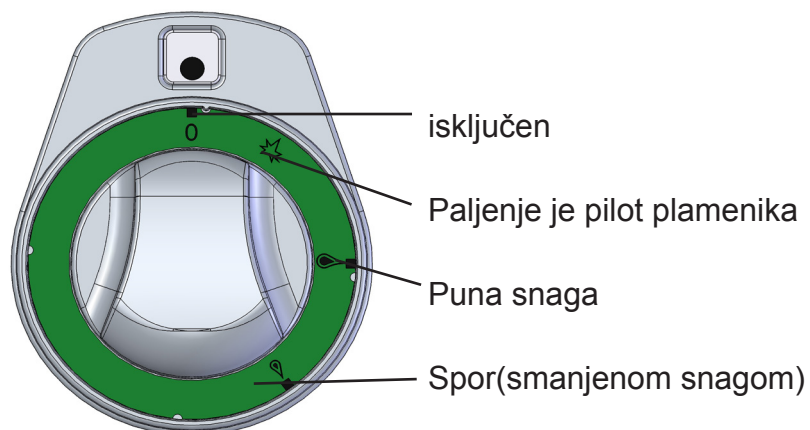
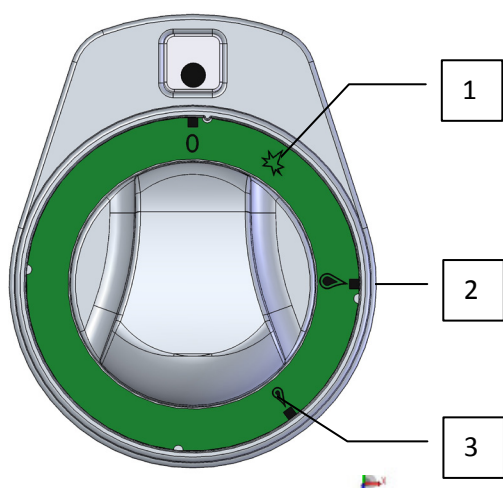
OVLADANJE (SL. 2)



① gumb za upravljanje

KONTROLA


reg. dugme odgovarajućeg gorionika



ČIŠĆENJE I ODRŽAVANJE

Aparat prekontrolirate barem 2 x godišnje autorizovanim serviserom. Bilo kakve oprave ili instalacije mogu biti provedene samo kvalifikovanom osobom koja je za takve zadatke odgovorna.

POZOR!

 Aparat ne smijete čistiti vodom koja je pod pritiskom; npr. tuš, crijevo. Čistite ga svakodnevno. Dnevno održavanje produžava život i upotrebnu vrijednost aparata. Prije početka čišćenja, provjerite da li ste aparat isključili iz struje. Uvijek provjerite glavni dovod. Dijelove od nehrdjajućeg čelika čistite vlažnom krpom i tekućim deterdžentom za sudje, potom operite čistom vodom i detaljno osušite. Nemojte koristiti abrazivna ili korozivna sredstva za čišćenje.

Pozor! Prije nego što počnete uređaj koristiti, obavezno sa njega skinite zaštitne folije i operite ga prema gore navedenim uputama.

Šta učiniti u slučaju kvara?

Isključite aparat iz struje i nazovite autorizovani servis.

UPOZORENJE

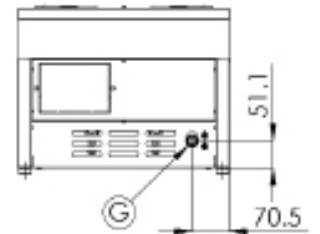
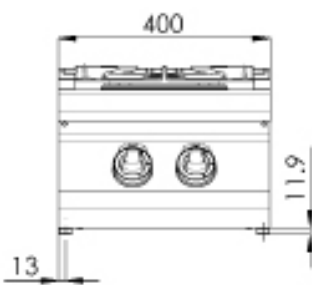
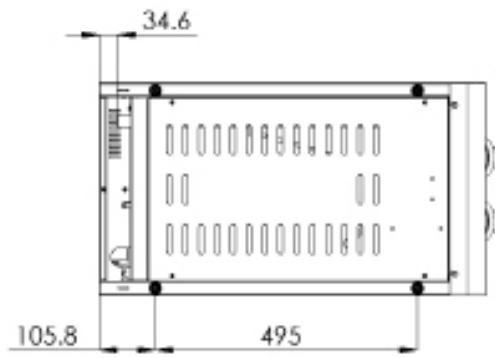
Garancija se ne odnosi na potrošne dijelove (kao što su: gumice, lampice, stakleni i plastični dijelovi...). Garancija se također ne odnosi na uređaj koji nije priključen i instaliran prema uputama, odgovornim serviserom, a prema danim normama. Isto tako, ukoliko su bile napravljene izmjene ili oprave koje nisu predviđene (oprave unutrašnje instalacije) ili ako je uređaj korišten nepoučenim ili neprofesionalnim osobljem, odnosno protivno instrukcijama navedenim u uputstvu za upotrebu. Također, garancija ne vrijedi ukoliko ja aparat oštećen vanjskim ili klimatskim uticajima.

Neophodno je provoditi kontrolu uređaja svakih 6 mjeseci. Tu kontrolu treba da provede autorizovani serviser. U slučaju ne održavanja ove preporuke, proizvođač se ograđuje od bilo kakve odgovornosti za štetu na imovini ili zdravlju.

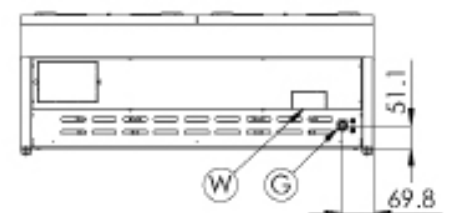
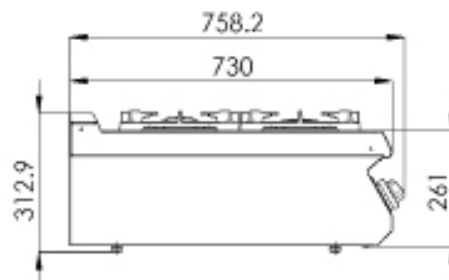
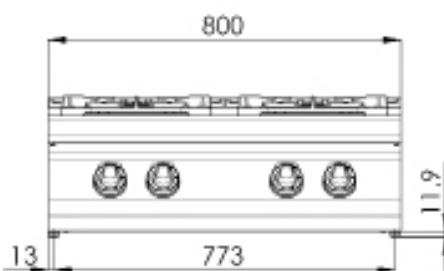
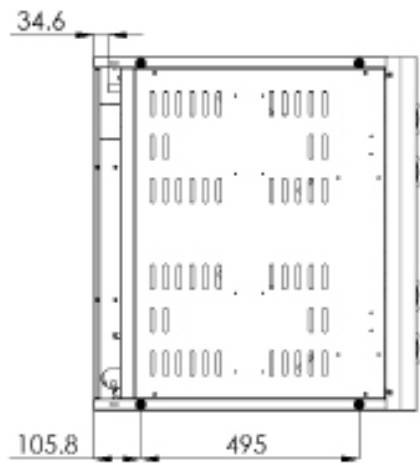
Ambalažu pakovanja i uređaj poslije kraja njegove upotrebne vrijednosti, predajte na otpad, a to prema danim propisima o likvidaciji.

DIMENZIONALNA SLIKA

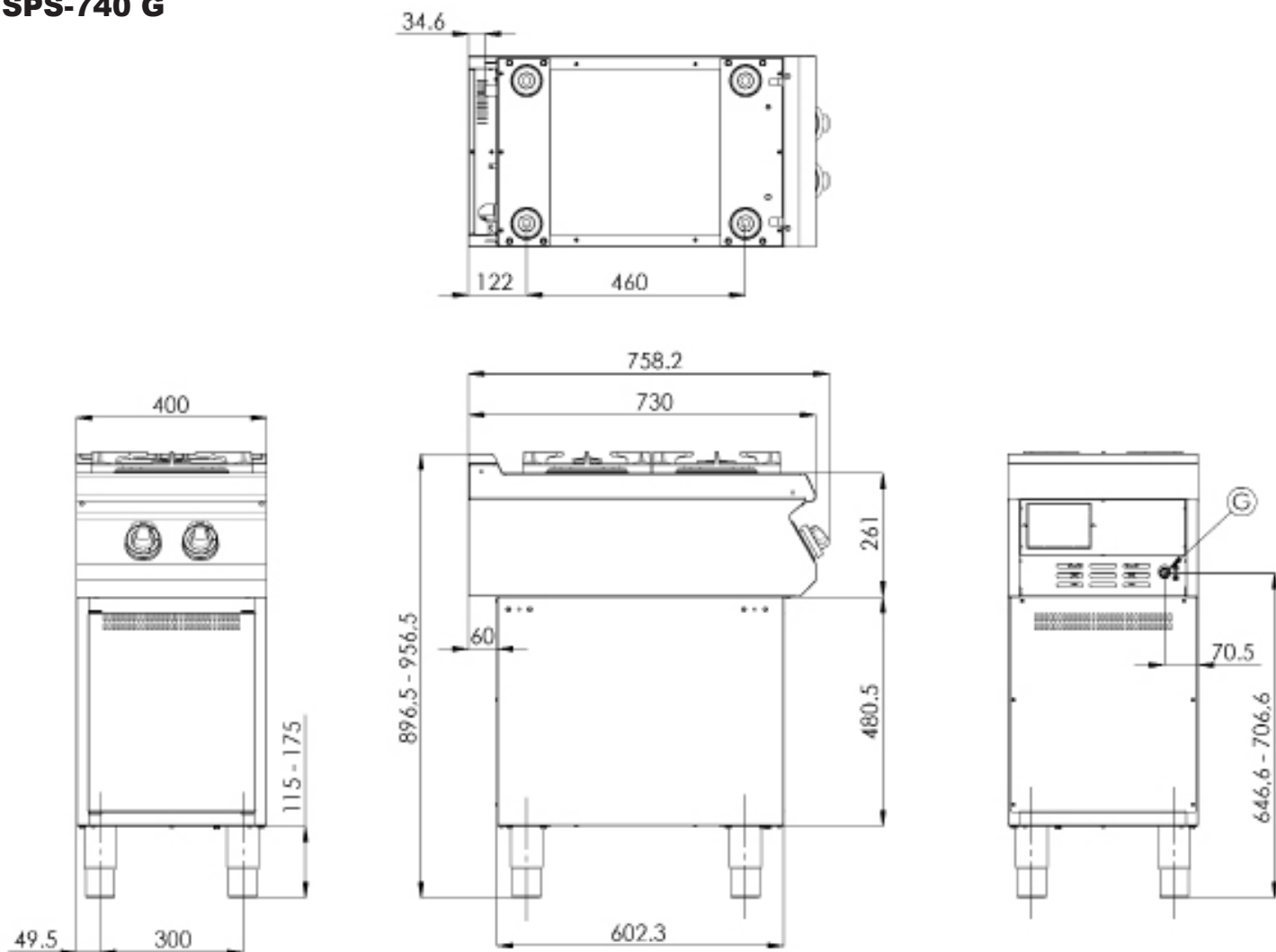
SPS-704 G



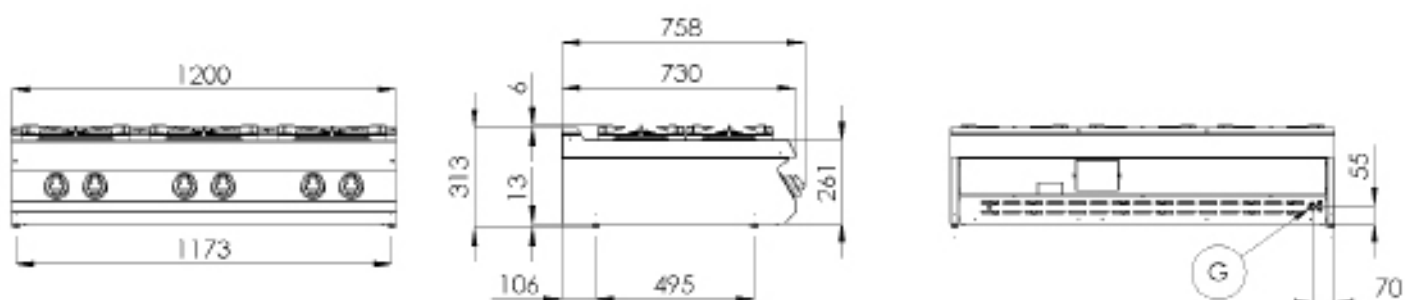
SPS-708 G



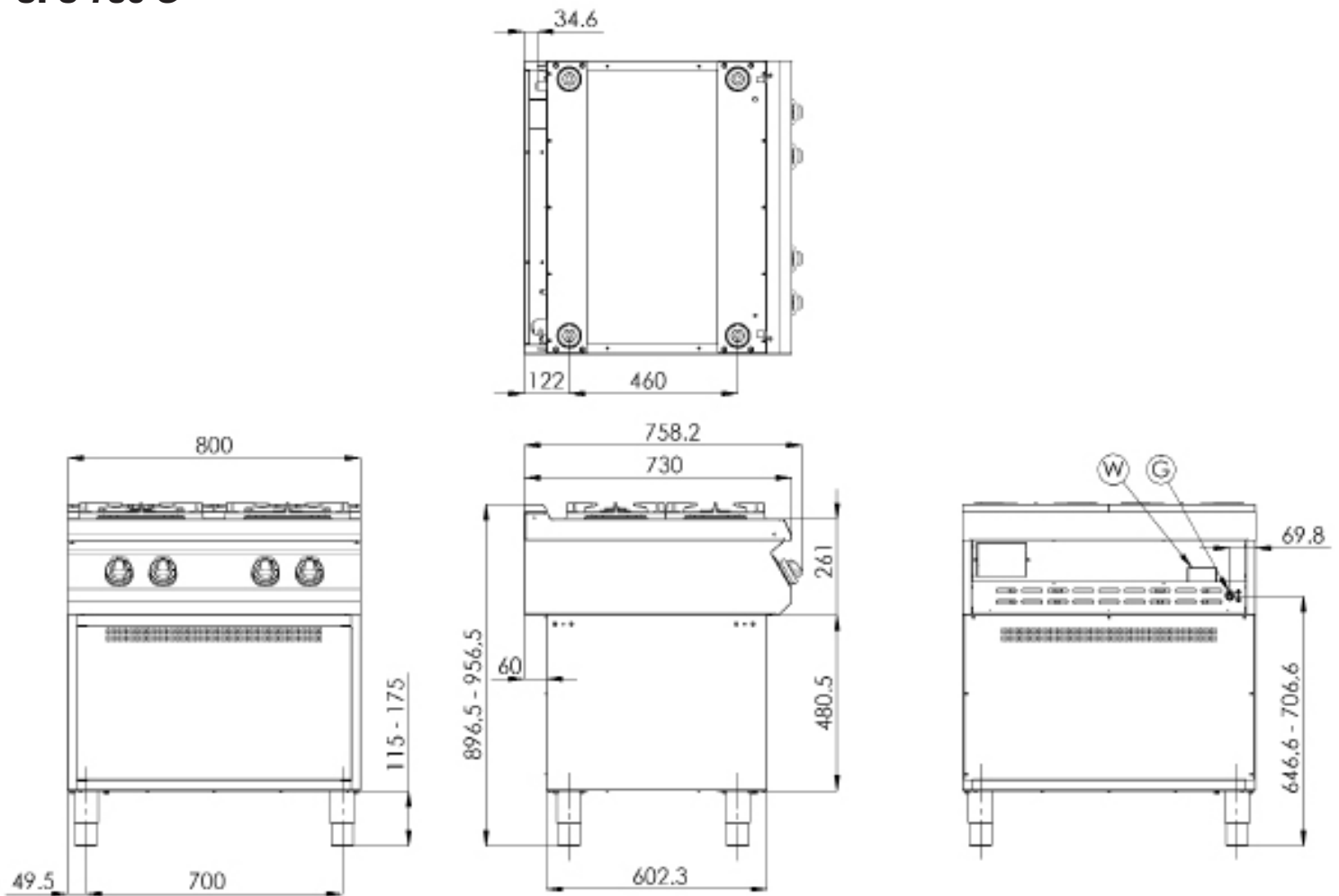
SPS-740 G



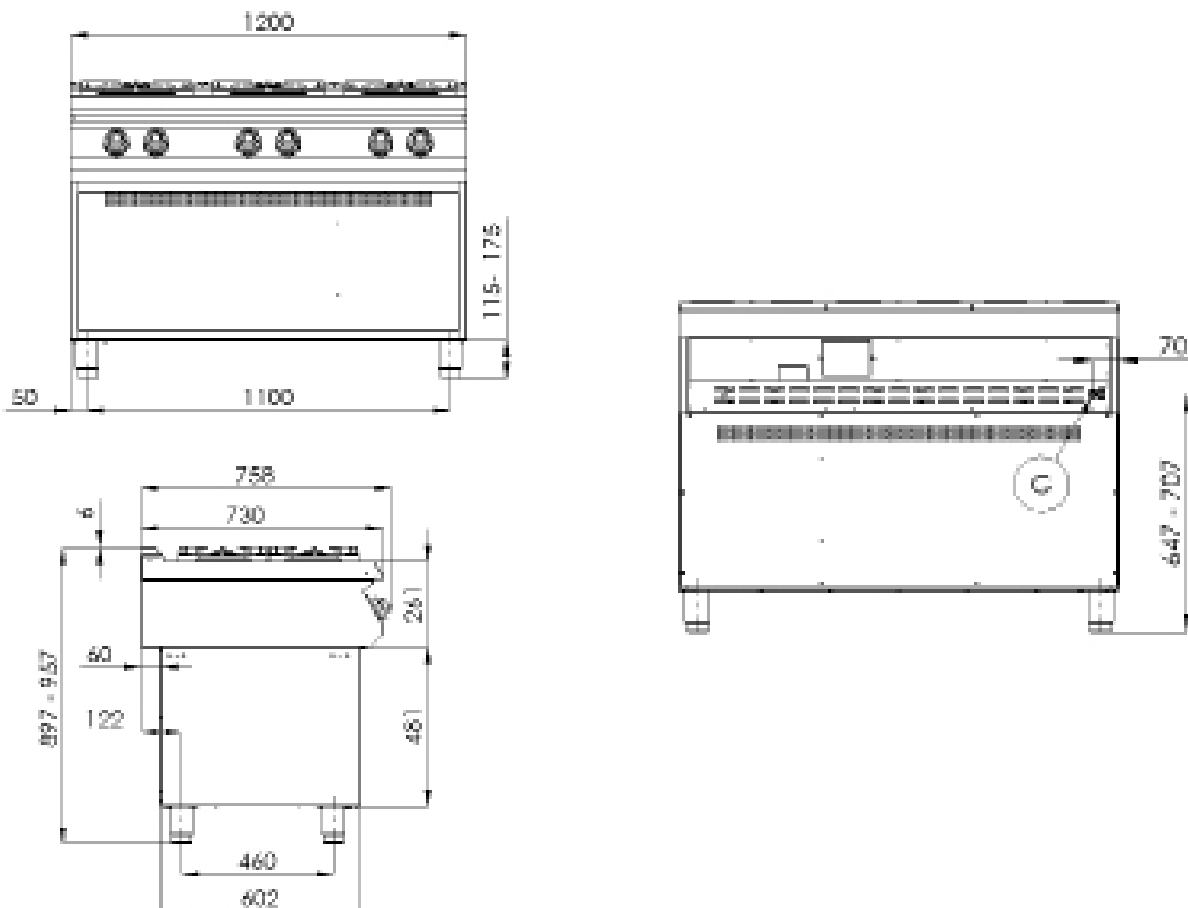
SPS-7012 G



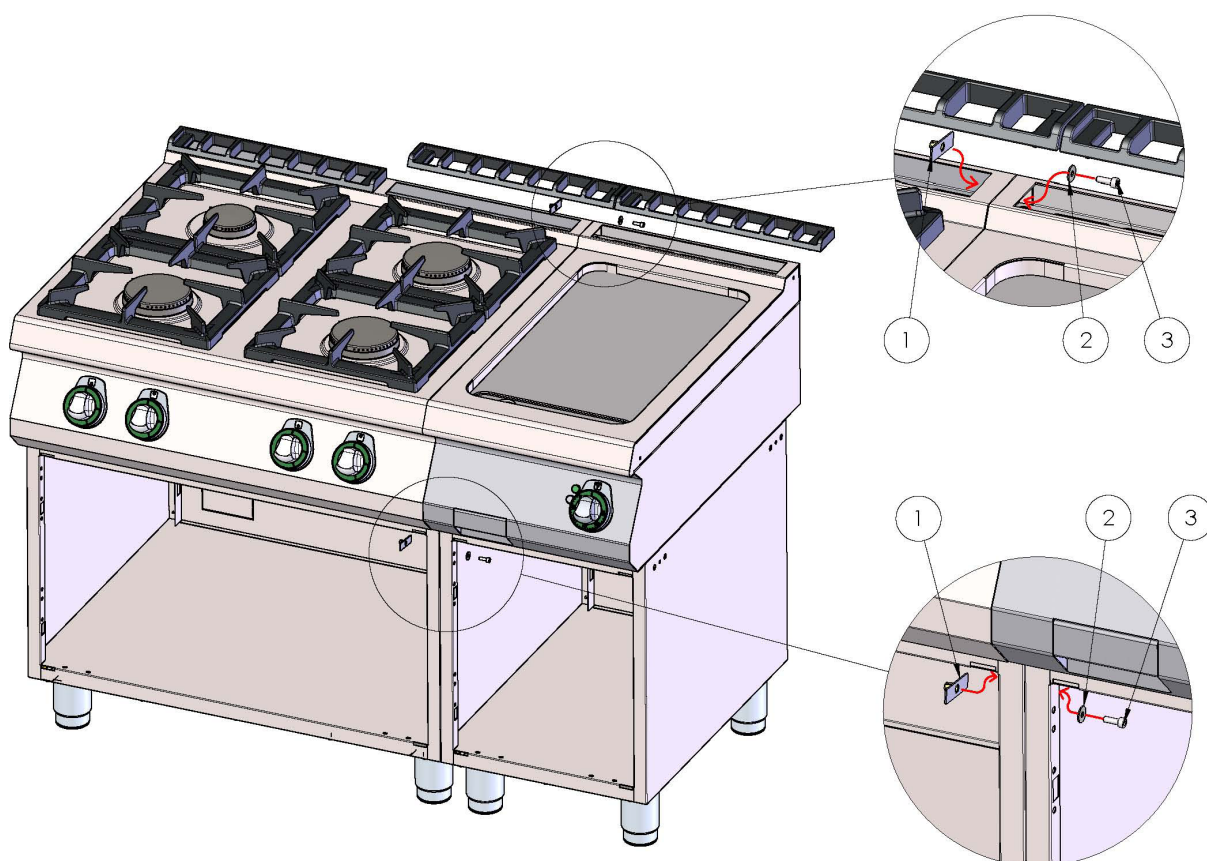
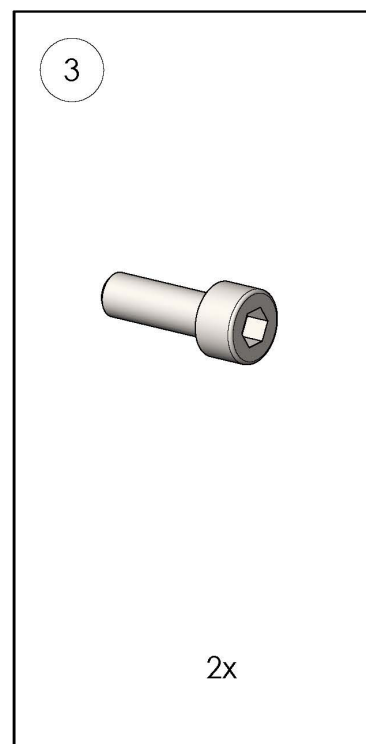
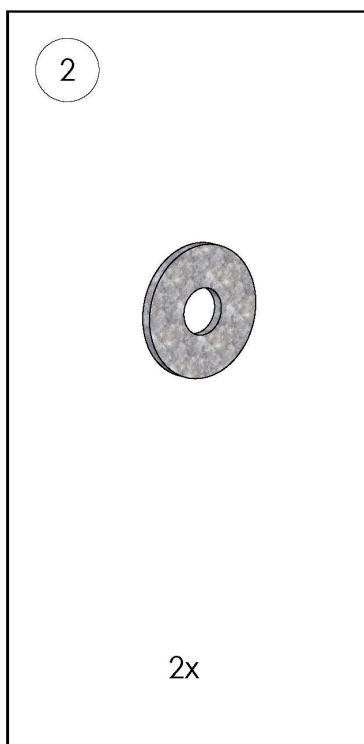
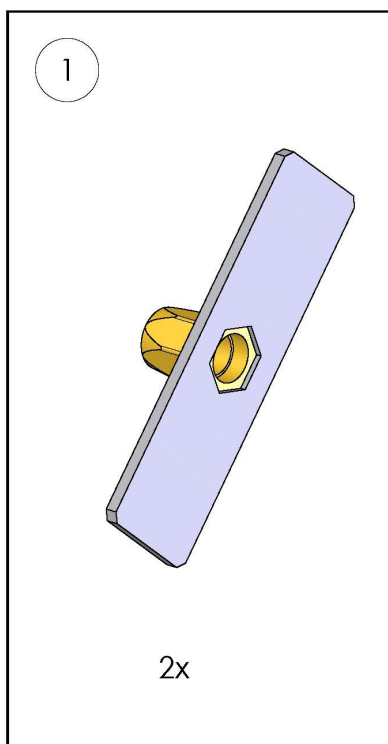
SPS-780 G



SPS-7102 G



priključak modula



List of service organizations:

CZ: RM GASTRO CZ s. r. o., Náchodská 818/16, Praha 9

Tel. +420 281 926 604, info@rmgastro.cz, www.rmgastro.cz

SK: RM Gastro Slovakia, Rybárska 1, Nové Město nad Váhom

Tel.: +421 32 7717061, obchod@rmgastro.sk, www.rmgastro.sk

PL: RM GASTRO Polska Sp. z o. o., ul. Skoczowska 94, 43-450 Ustroń

Tel.: +33 854 73 26, www.rmgastro.pl